

UNLESS STATED OTHERWISE, GENERAL TOLERANCES TO ISO 2768 TOLERANCE CLASS 'm' FOR MACHINING & 'V' FOR FABRICATION  
--REMOVE ALL BURRS AND SHARP EDGES  
--MACHINED SURFACES 3.2 Ra UOS

DIMENSION	MACHINED	FABRICATED
UP TO 3	± 0.1	
OVER 3 UP TO 6	± 0.1	± 0.5
OVER 6 UP TO 30	± 0.2	± 1.0
OVER 30 UP TO 120	± 0.3	± 1.5
OVER 120 UP TO 400	± 0.5	± 2.5
OVER 400 UP TO 1000	± 0.8	± 4.0
OVER 1000 UP TO 2000	± 1.2	± 6.0
OVER 2000 UP TO 4000	± 2.0	± 8.0
ANGULAR	± 0.15°	± 1.0°

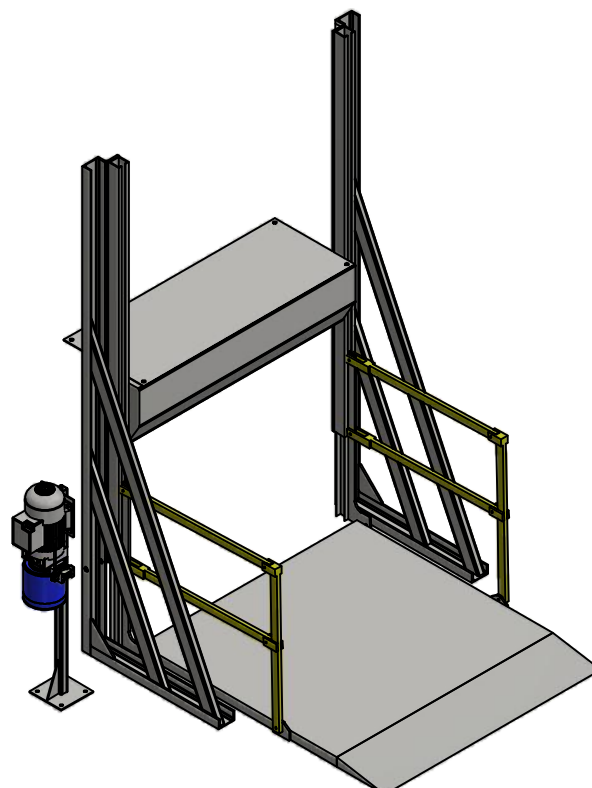
Drawn By:	Checked By:	Approved by - Date	Design State WorkInProgress	Date
<b>Title:</b> Product Specification, 500kg BayLift Quote proposal for customer approval			Material <b>Generic</b>	Dimensions mm 0.03
			Finish/Colour	Projection 1st
<b>PennyHydraulics</b> GROUP		Station Rd, Clowne, Chesterfield, S43 4AB Tel: +44 (0) 1246 811475 Fax: +44 (0) 1246 810403 mail: sales@pennyhydraulics.com web: www.pennyhydraulics.com	Customer Ref. 0_BayLift.ipt	PH Job Number 0
Part No 0_BayLift	Reference	Edition A	Doc Type Sheet 1 of 8	

©2016 This drawing is the property of Penny Hydraulics Limited and must not be copied or amended in part or in whole unless prior, express written permission is obtained from the Company

# BayLift 500kg Product Specification

Operation	Lifting and lowering GOODS ONLY (no passengers)
Maximum Working Load	500kg
Number of Stops	2 (Ground + 1)
Bed Height	1200 mm max
Usable Platform Size	1346 mm (w) x 1219 mm (d)
Platform Guarding	Folding side arms on non-loading edges
Lift Speed	0.2 m/s
Power Supply Required	240 V, 20 A, Single phase supply terminated in a double pole isolator at lower level
Controls	Hold to run handle on power pack
Power Pack	Mounted remotely to suit application on a floor mounted stand (optional lock up box)
Loading Configuration	Load through
Ramp Type	3 way folding ramp (can be static if required)
Lift Colour	Galvanised frame and aluminium platform
Lift Pit	Floor mounted
Documentation	CE Mark and Declaration of Conformity Operation and Maintenance Manual issued on completion LOLEWR Report of Thorough Examination and Test issued on commissioning
Training	Operator training carried out on completion
Duty Cycles	Based on 10 cycles per hour on a single shift basis
Warranty	12 months parts and labour for customers in the U.K mainland only. Others are on a parts onl basis

NOTE:- ADDITIONAL GUARDING MAY BE REQUIRED DEPENDING ON LIFT LOCATION



CAD Version of your BayLift