

# PH50.2ERS

## TECHNICAL DATA

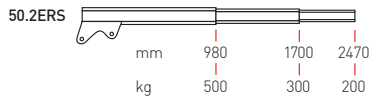
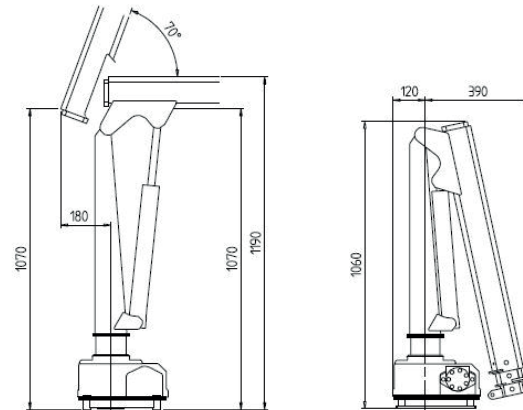
Lifting capacity	5kNm
Max. lifting height from crane base	3400mm
Max. working slope	4°
Max. working pressure	170bar
Electro-hydraulic power unit supply voltage	12V/24V
Max. absorption electro-hydraulic power unit	100A/50A
Hydraulic oil tank capacity	1.6l
Max. absorption electrical winch	30A

## ACCESSORIES WEIGHTS

	kg
Stabiliser kit	20
Counter flange	6
Quick fitting kit	20
Back load attachment kit	1.7

## CRANE WEIGHTS

	kg (without winch)	kg (with winch)
PH50.2ERS	91	-



Hydraulic extension    
  Standard manual extension    
  Optional manual extension    
 \* "D" version

Penny Hydraulics Limited

Station Road | Clowne | Chesterfield | Derbyshire | S43 4AB | United Kingdom  
 t +44 (0) 1246 811475 | f +44 (0) 1246 810403

w [www.pennyhydraulics.com](http://www.pennyhydraulics.com) | e [sales@pennyhydraulics.com](mailto:sales@pennyhydraulics.com)

**PennyHydraulics**  
 VEHICLE MOUNTED EQUIPMENT

