

Pack part numbers

196-000019 12v Winch Pack

196-000020 24v Winch Pack

PennyHydraulics

WINCHES



PH3300FW Winch Pack

- 3300lbs/1497kg rolling load line pull
- 12v or 24v DC
- Lightweight at 29lbs/14kg
- Free wheel
- Supplied with 6mm diameter, 30ft/9.1m wire rope & hook assembly
- Full accessories kit included:

Individual
part numbers

654-000006

30ft/6mm diameter wire rope and hook assembly

560-000016

3 button remote with emergency stop

195-000058

12v solenoid without wiring for overload
or

195-000059

24v solenoid without wiring for overload

123-000035

Left hand 500kg winch guard

RFF400

Small roller fairlead

Fitting nuts and bolts (for bolting winch to vehicle)

562-000021

Winch Operating & Maintenance Handbook

> APPLICATIONS

- Plant trailers
- Hunting
- ATV
- Boat trailers
- Caravans
- Car trailers (motorsport)

PH3300FW Winch Pack

Optional Accessories

- Radio remote control
- Tree straps
- Slings
- Snatch blocks
- Shackles

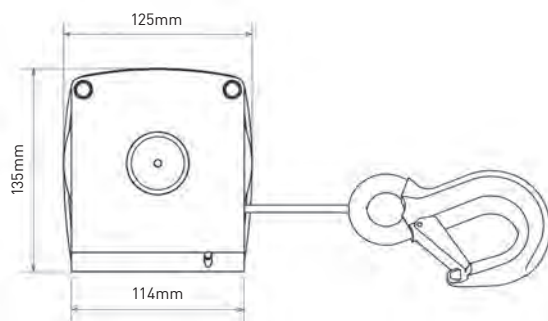
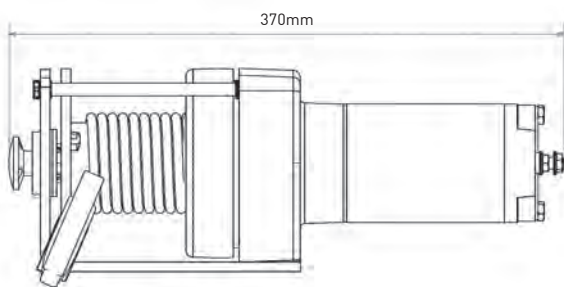


Rolling Load Line Speed Performance

Rolling Load Line Pull (lbs/kg)	Line Speed (fpm/mpm)	Amp
No Load	16.0/4.9	20
1000/454	10.5/3.2	50
1400/635		
1600/727		
2000/907	5.5/1.7	95
2500/1136		
3000/1360	3.3/1.0	135
3300/1497	Stall	160

Layers/Length of Cable/Operational Rolling Load Line Pull

Layer of Cable	Total Cable on Drum (feet/metres)	Rolling Load Line Pull (lbs/kg)
1st	8/2.4	3300/1497
2nd	17/5.1	2700/1224
3rd	27/8.2	2300/1043



Penny Hydraulics Limited
 Station Road | Clowne | Chesterfield
 Derbyshire | S43 4AB | UK
 t +44 (0) 1246 811475 | f +44 (0) 1246 810403
 e sales@pennyhydraulics.com
 w pennyhydraulics.com

