

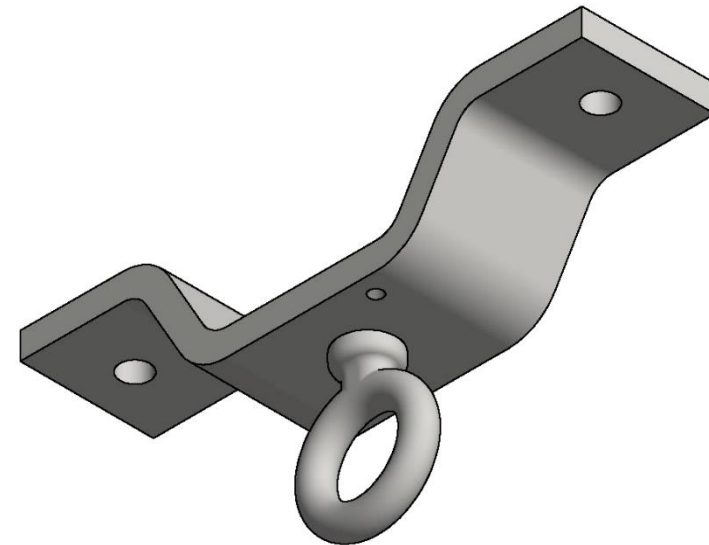
TECHNICAL DOCUMENT



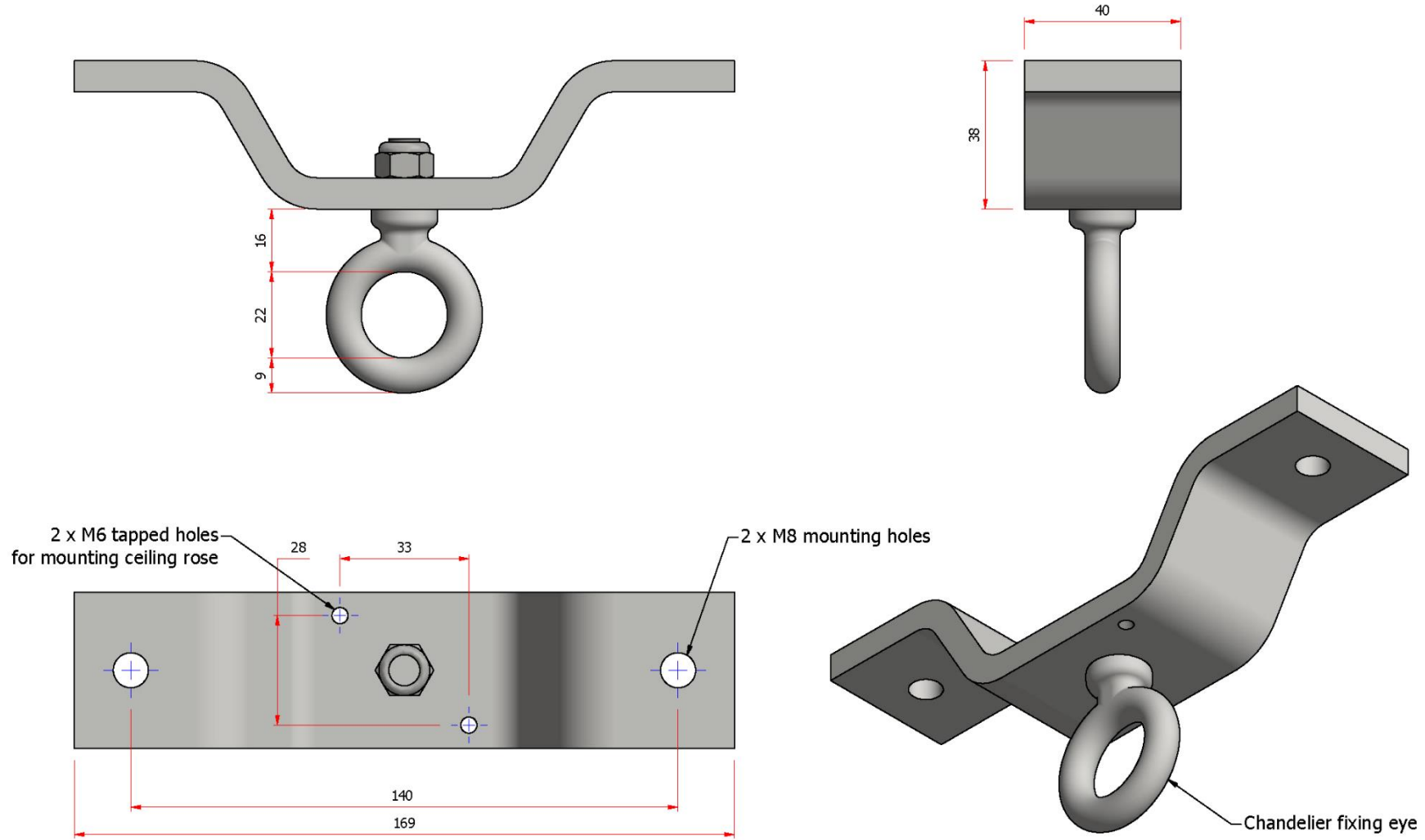
RLF-100

FIXED CEILING ANCHOR

MAX LOAD: 100 kg (220 lbs)
LOAD TESTED AND CERTIFIED



Overview/Dimensions



Technical specifications

Safe working load (SWL)	100 kg (220 lbs)
Fixings	2 x fixing holes for M8
Material	Mild steel
Finish	Primed
Mass	0.56 kg (1.2 lbs)
Markings	SWL, Serial number, Manufacturer, CE Mark
Supplied documentation	Individual load test certificate, Declaration of Conformity

Contact Penny Hydraulics if a different specification is required.