

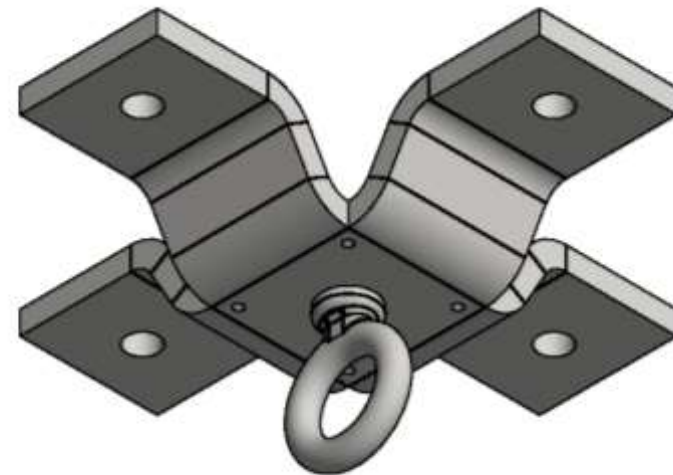
# TECHNICAL DOCUMENT



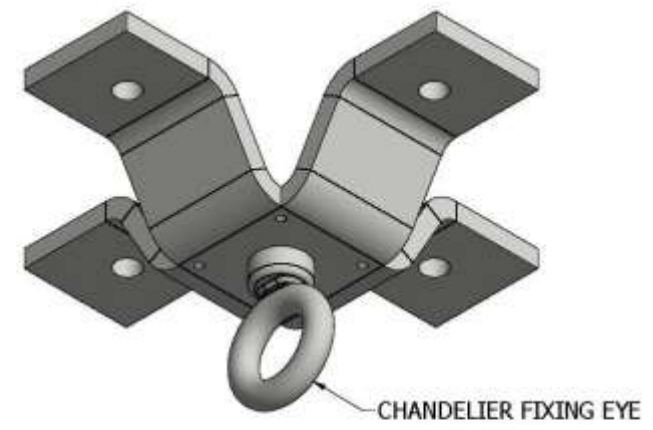
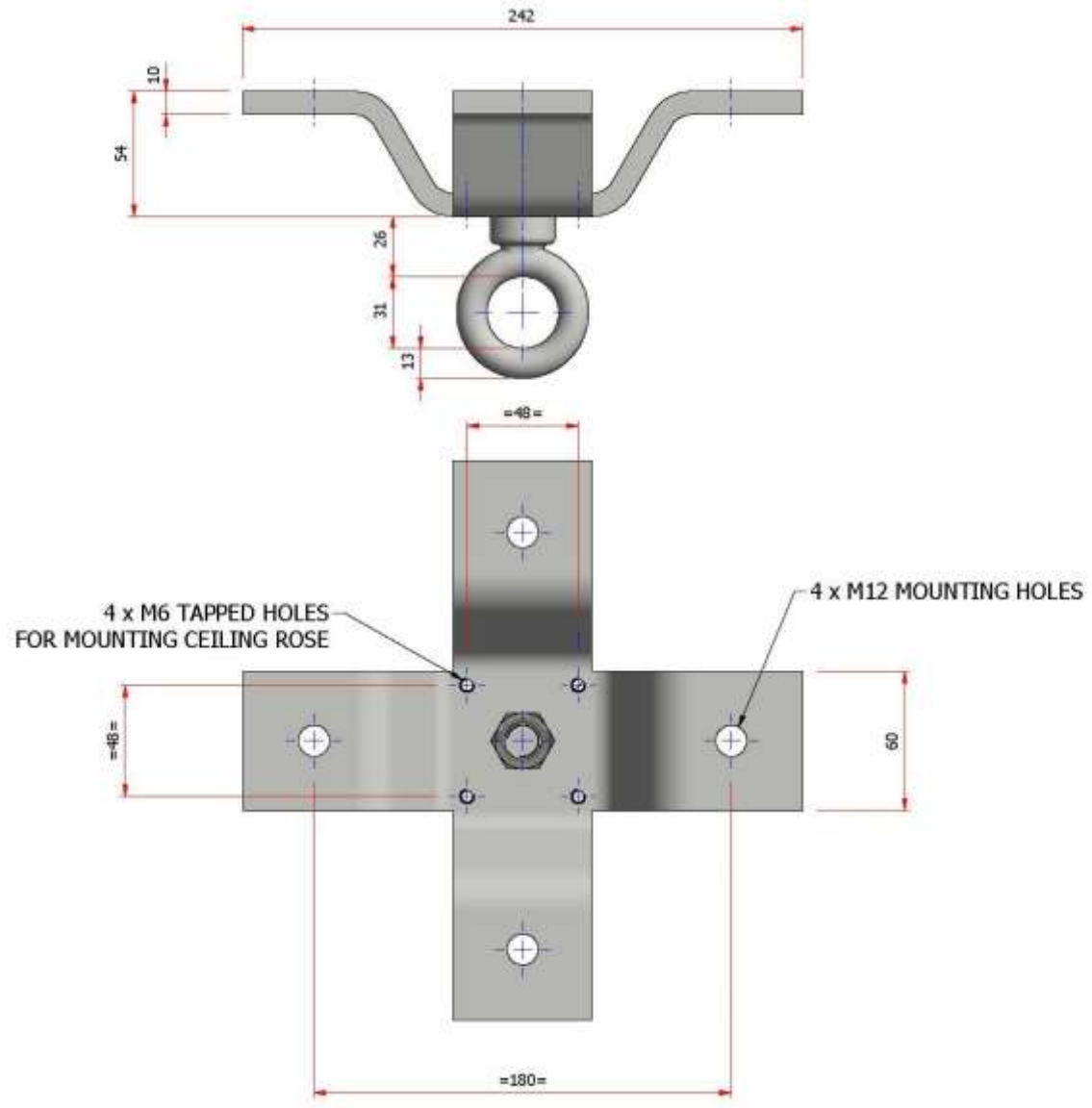
## RLF-500

### FIXED CEILING ANCHOR

MAX LOAD: 500 kg (1102 lbs)  
LOAD TESTED AND CERTIFIED  
SKU: 011-006020



# Overview/Dimensions



## Technical specifications

<b>SKU</b>	011-006020
<b>Safe working load (SWL)</b>	500 kg (1102 lbs)
<b>Fixings</b>	4 x fixing holes for M12
<b>Material</b>	Mild steel
<b>Finish</b>	Primed
<b>Mass</b>	2.29 kg (5 lbs)
<b>Markings</b>	SWL, Serial number, Manufacturer, CE Mark
<b>Supplied documentation</b>	Individual load test certificate, Declaration of Conformity

**Contact Penny Hydraulics if a different specification is required.**