

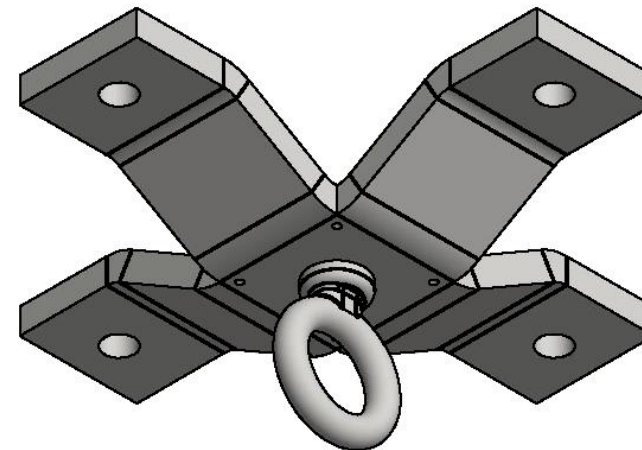
TECHNICAL DOCUMENT



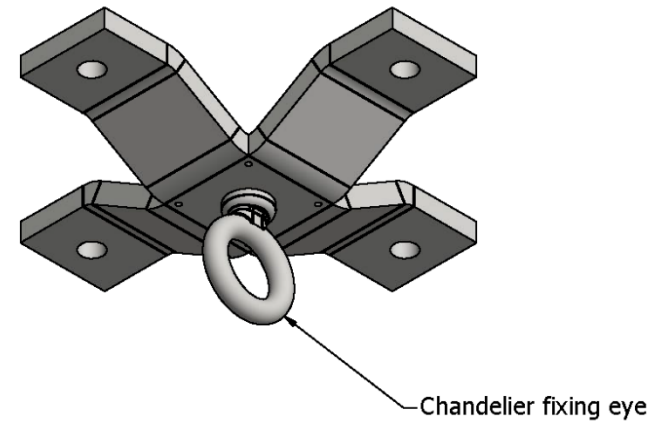
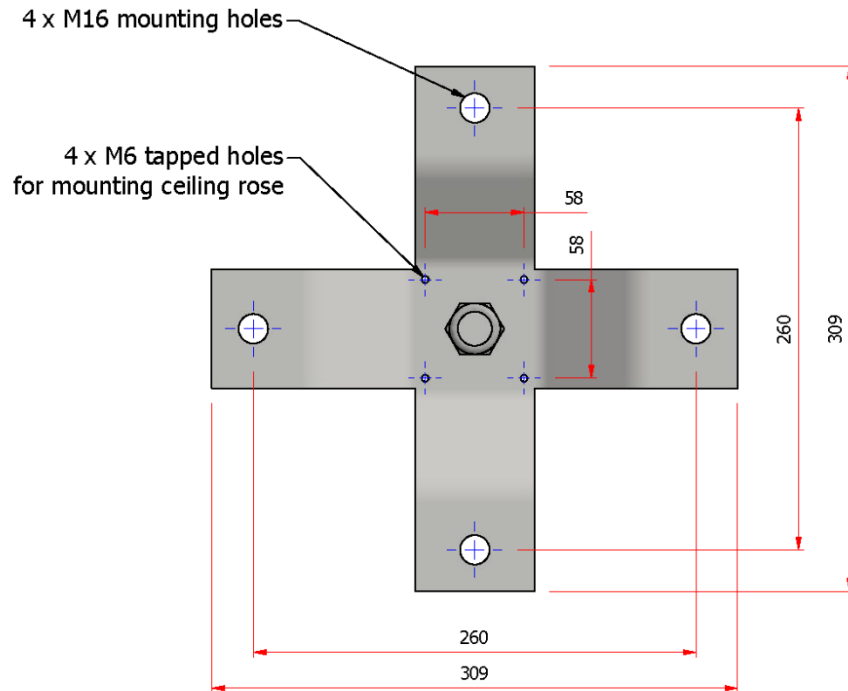
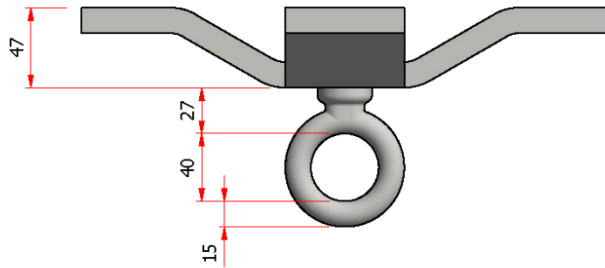
RLF-1000

FIXED CEILING ANCHOR

MAX LOAD: 1000 kg (2205 lbs)
LOAD TESTED AND CERTIFIED



Overview/Dimensions



Technical specifications

Safe working load (SWL)	1000 kg (2205 lbs)
Fixings	4 x fixing holes for M16
Material	Mild steel
Finish	Primed
Mass	5.12 kg (11 lbs)
Markings	SWL, Serial number, Manufacturer, CE Mark
Supplied documentation	Individual load test certificate, Declaration of Conformity

Contact Penny Hydraulics if a different specification is required.