

TECHNICAL DOCUMENT



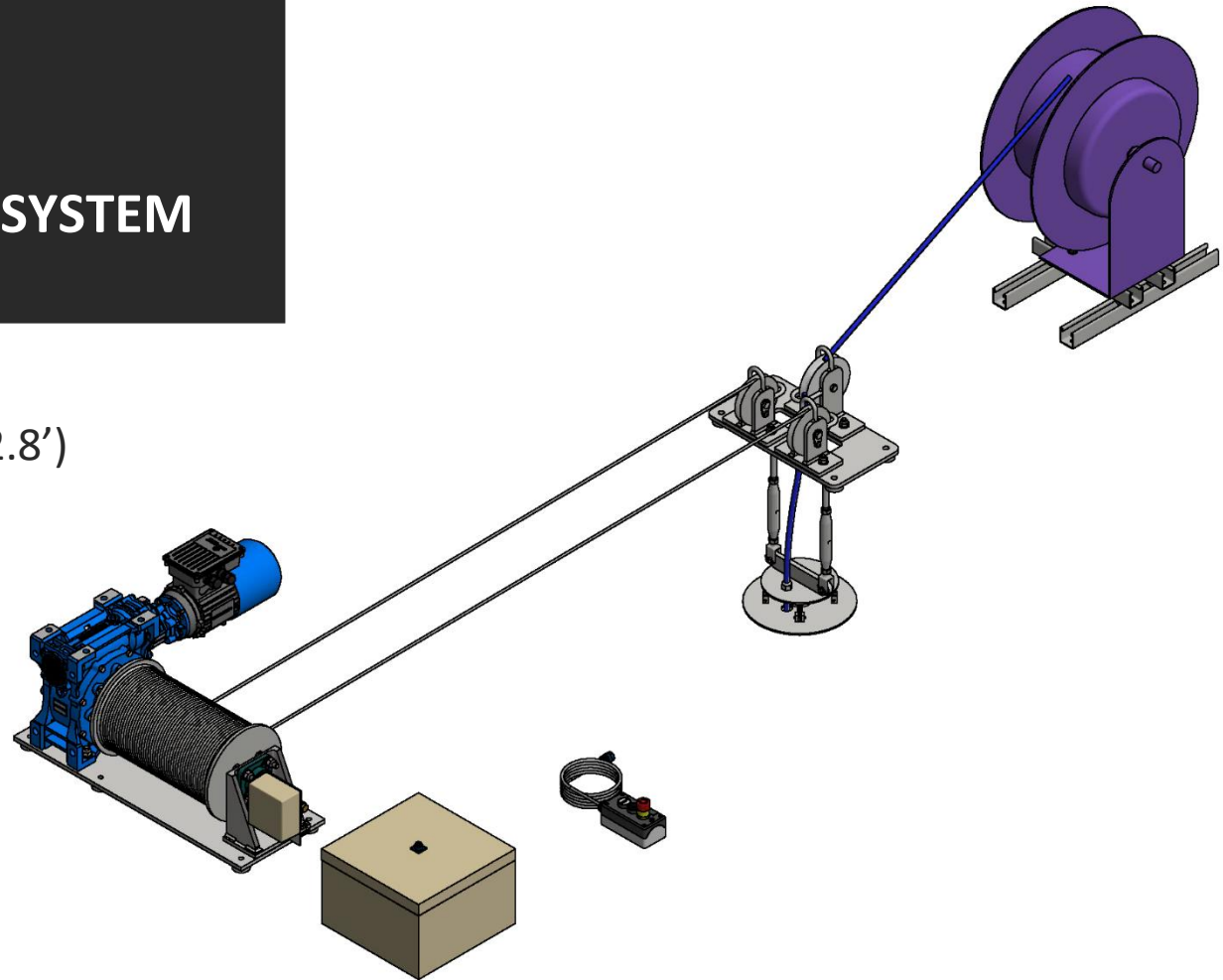
RLT-500

TWIN ROPE ELECTRIC WINCH SYSTEM

MAX LOAD: 500 kg (1102 lbs)

MAX LOWERING DISTANCE: 10 m (32.8')

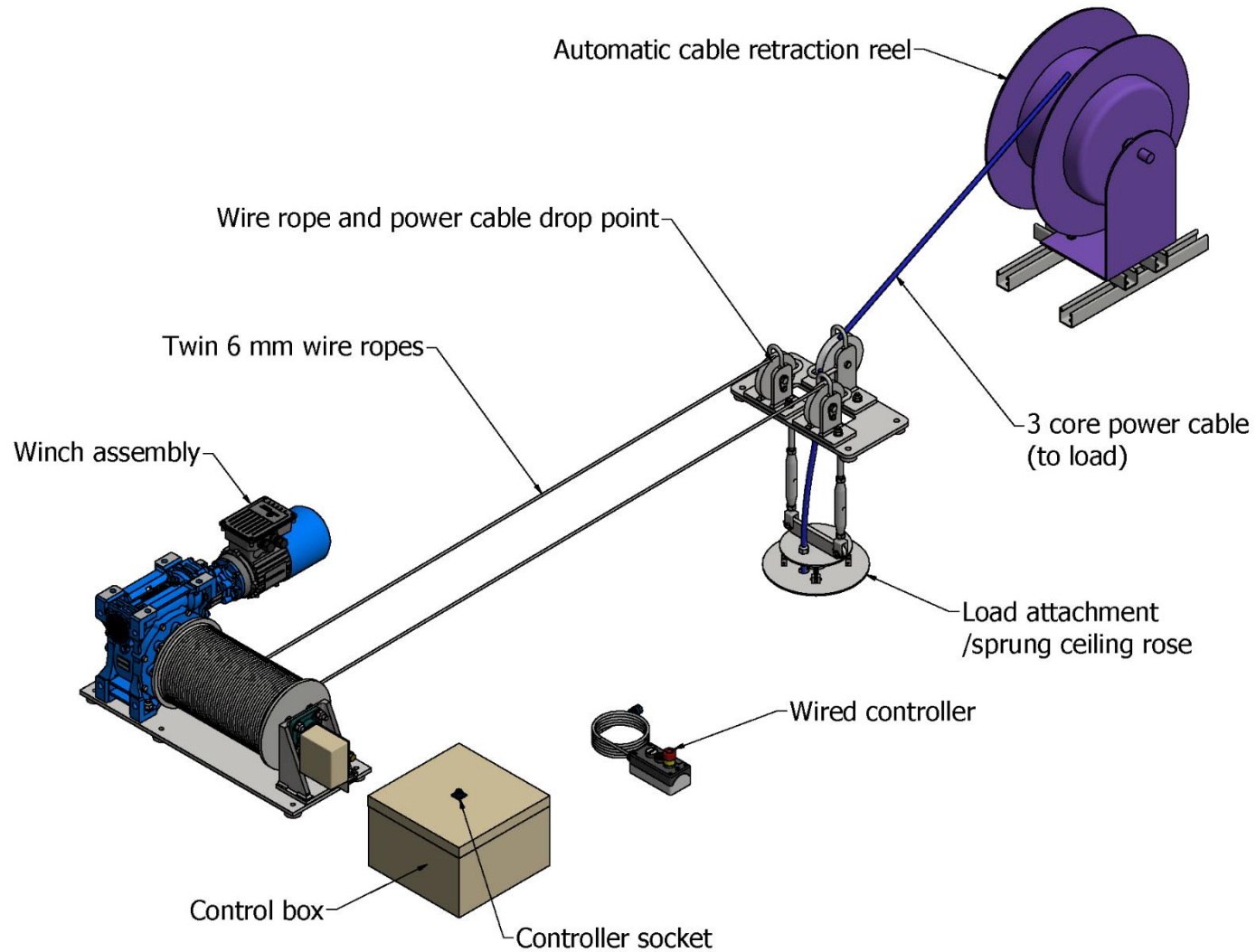
SKU: 872-000077



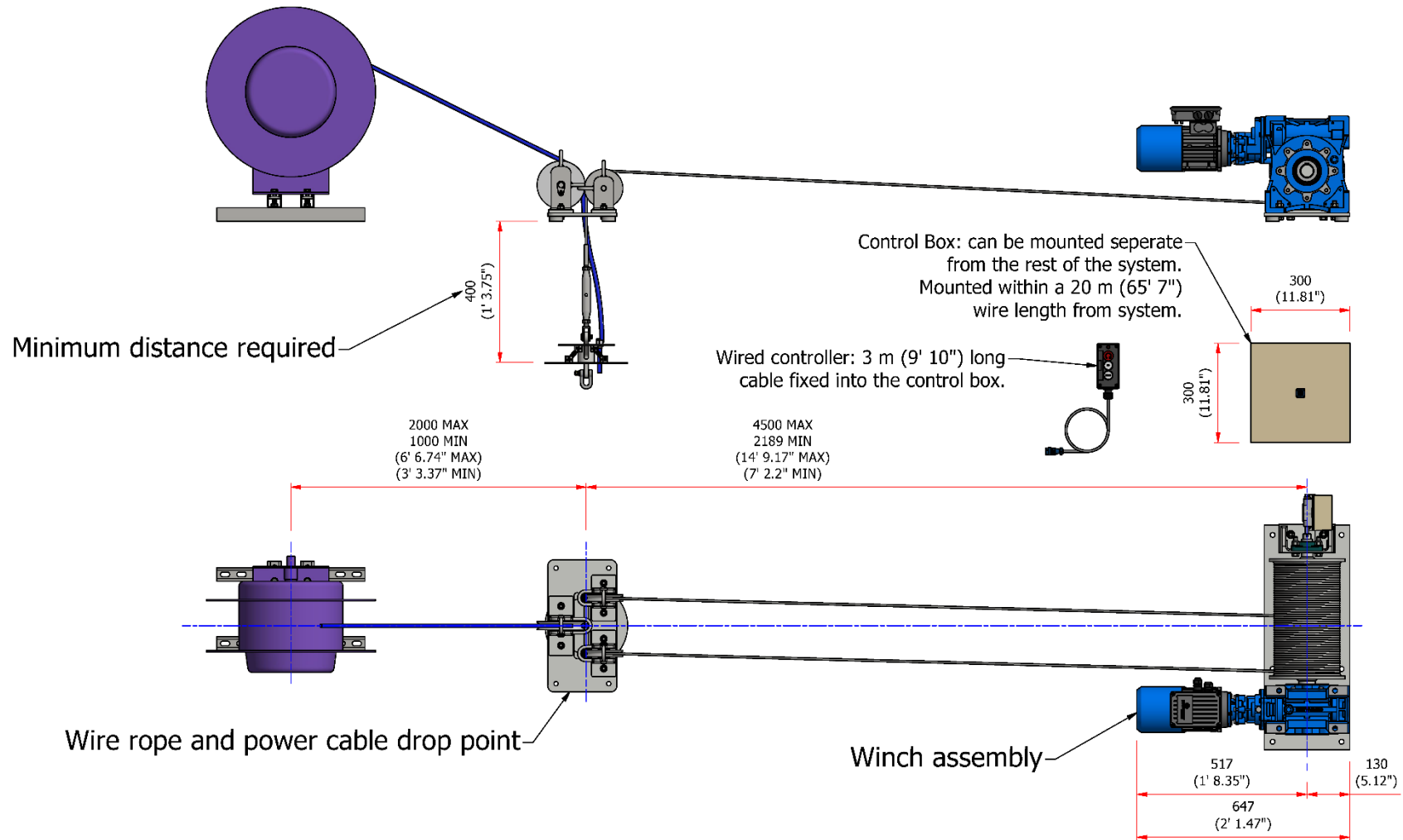
Contents

Contents.....	2
System overview	3
Min/max layout distances.....	4
Electric winch dimensions.....	5
Drop pulley assembly dimensions	6
Automatic cable retraction reel dimensions.....	7
Load attachment detail	8
Mounting dimensions	9
System loadings	10
Winch system technical specifications	11
Wired remote control technical specifications.....	12
Wireless radio remote system technical specifications.....	13

System overview

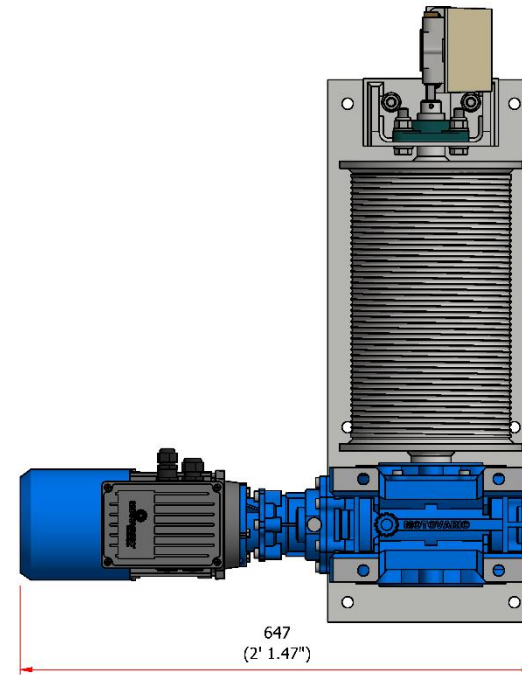
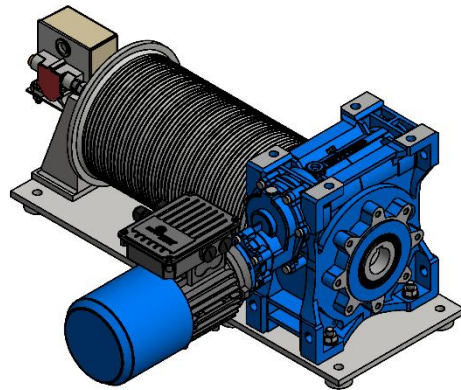
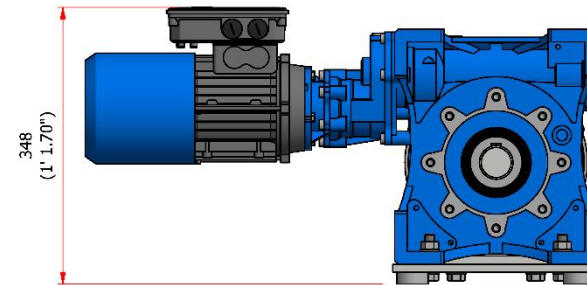
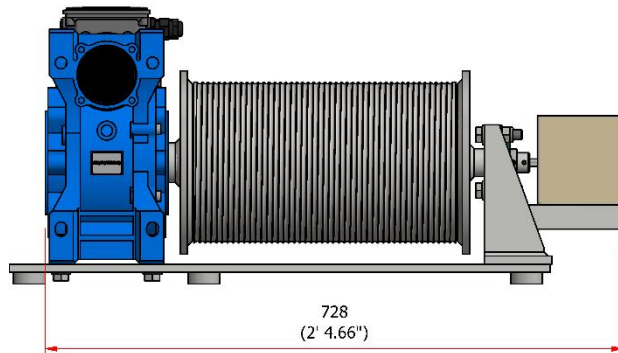


Min/max layout distances



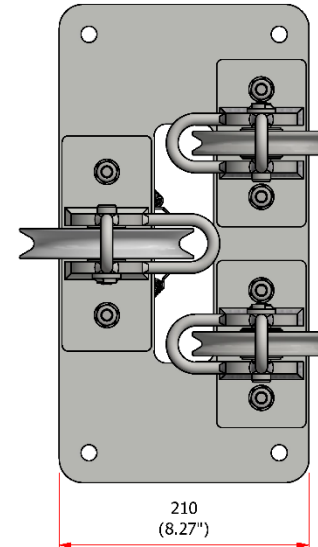
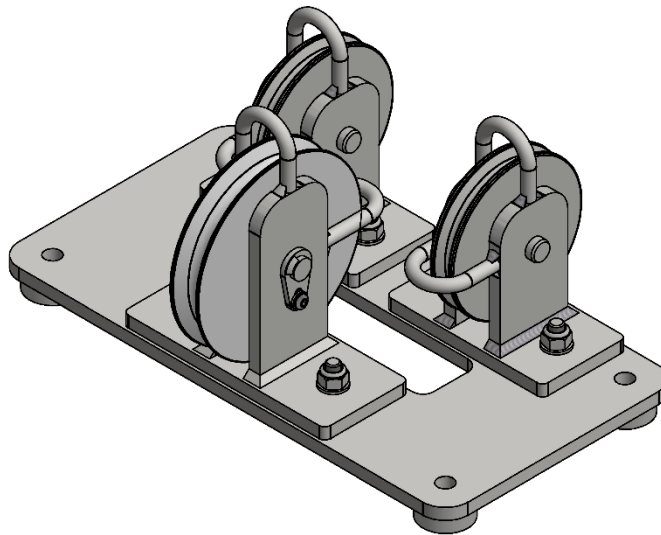
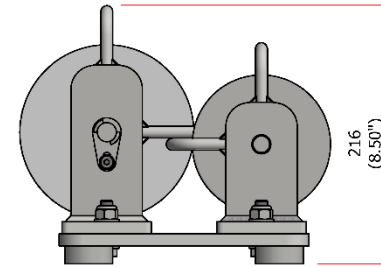
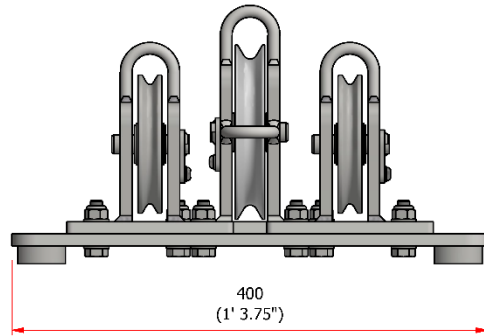
Electric winch dimensions

Mass: 92 kg (203 lbs)



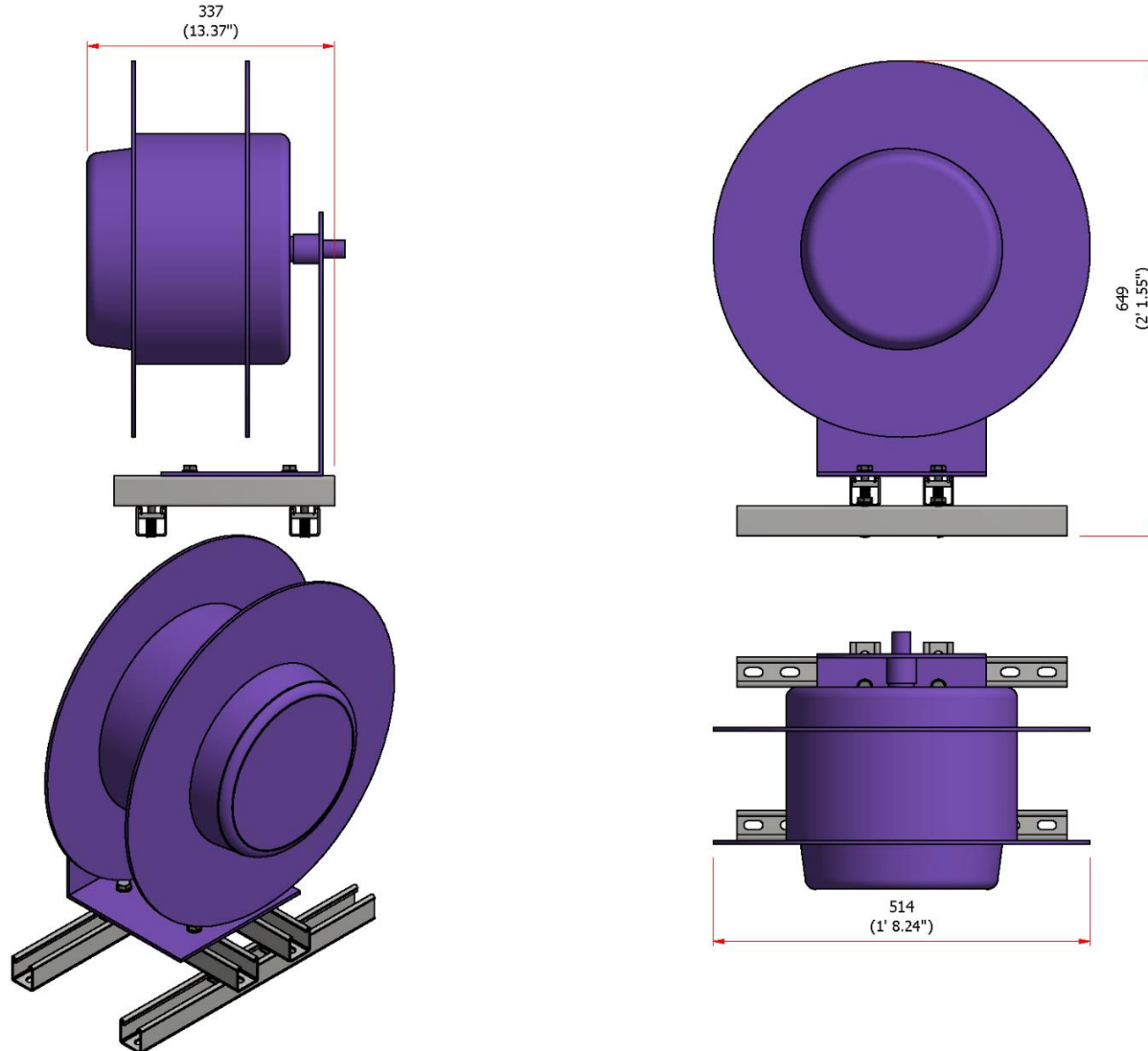
Drop pulley assembly dimensions

Mass: 16 kg (35 lbs)



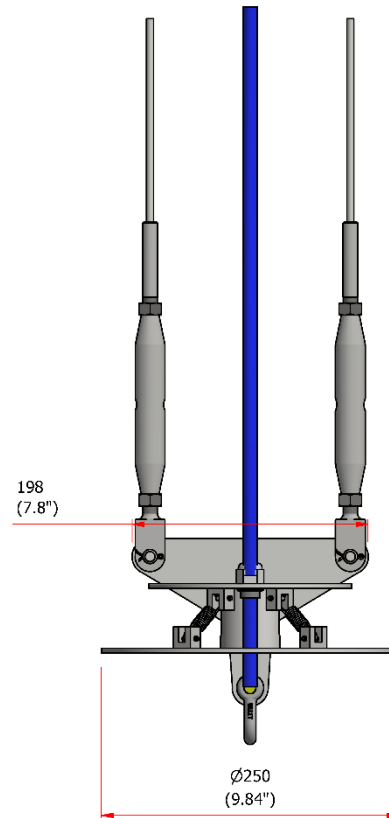
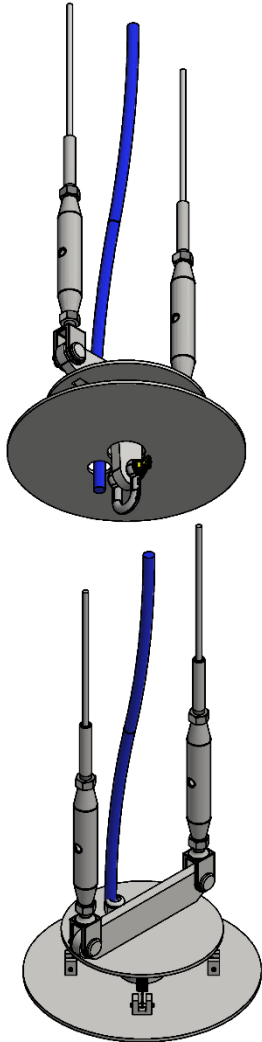
Automatic cable retraction reel dimensions

Mass: 46 kg (102 lbs)

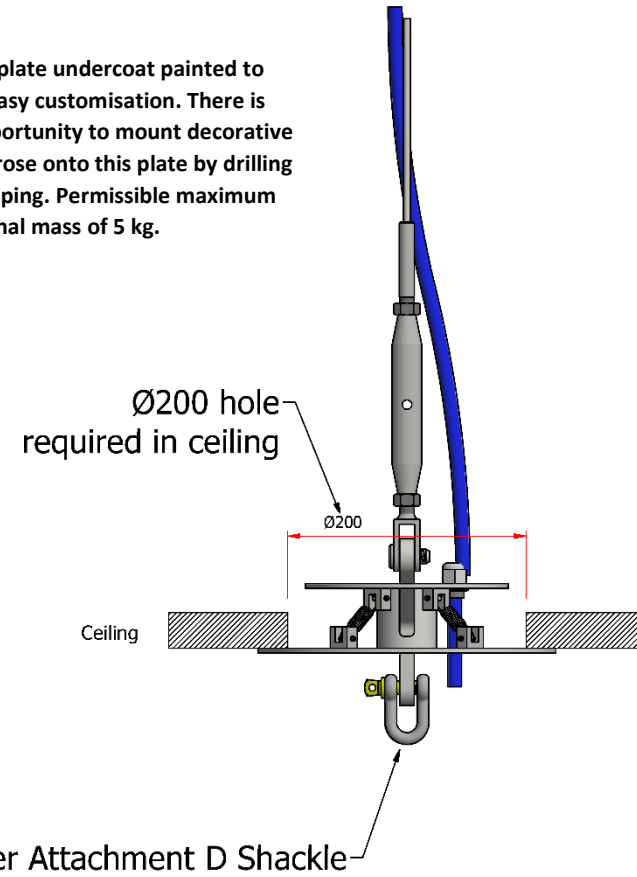


Load attachment detail

Mass: 11 kg (25 lbs)



Visible plate undercoat painted to allow easy customisation. There is the opportunity to mount decorative ceiling rose onto this plate by drilling and tapping. Permissible maximum additional mass of 5 kg.



Mounting dimensions

Cable Reel Mounting 4 x M10 fasteners

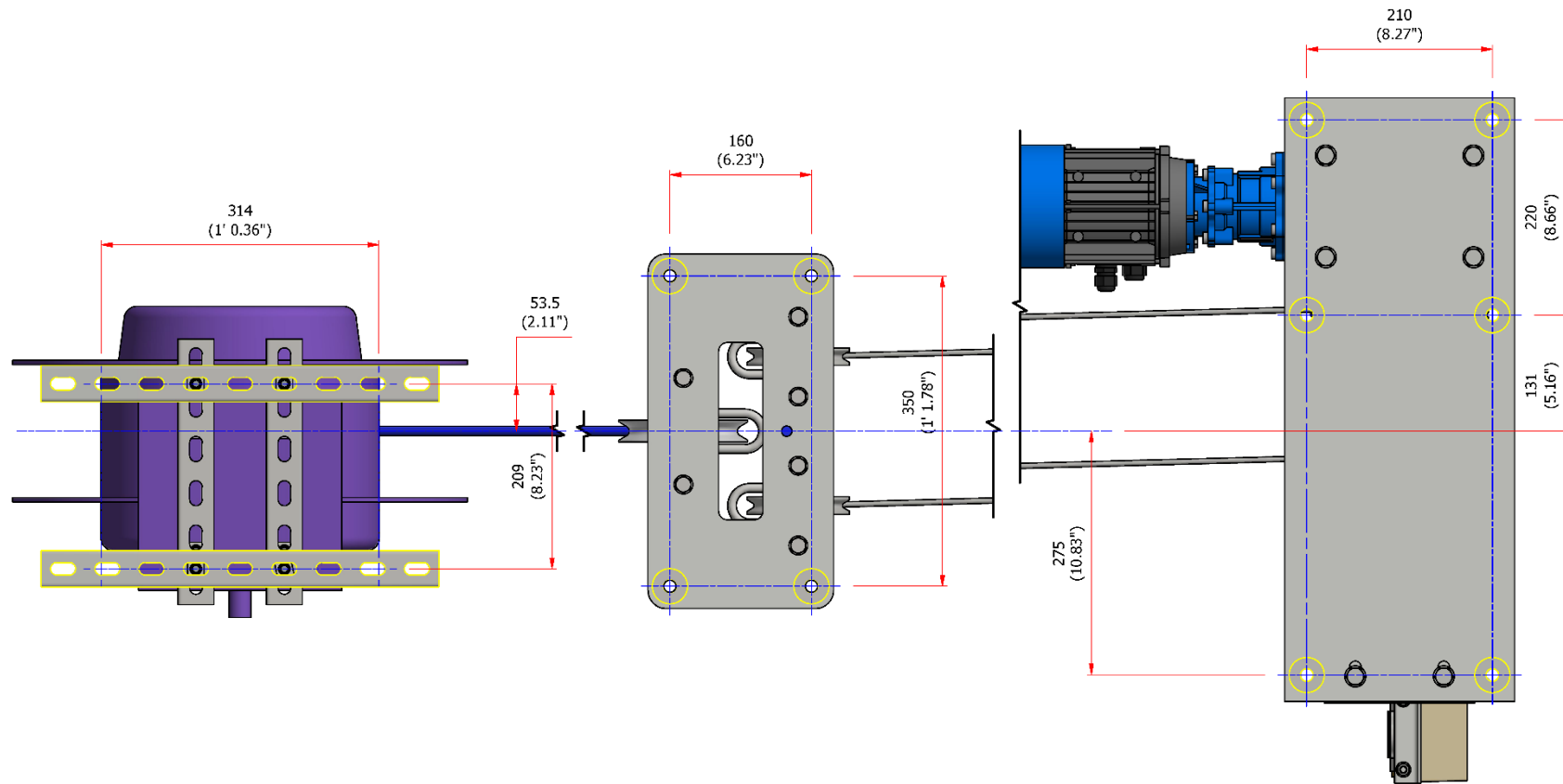
Cable Reel Mass: 46 kg (102 lbs)

Pulley Assembly Mounting 4 x M12 fasteners

Pulley Assembly Mass: 16 kg (35 lbs)

Winch Assembly Mounting 6 x M12 fasteners

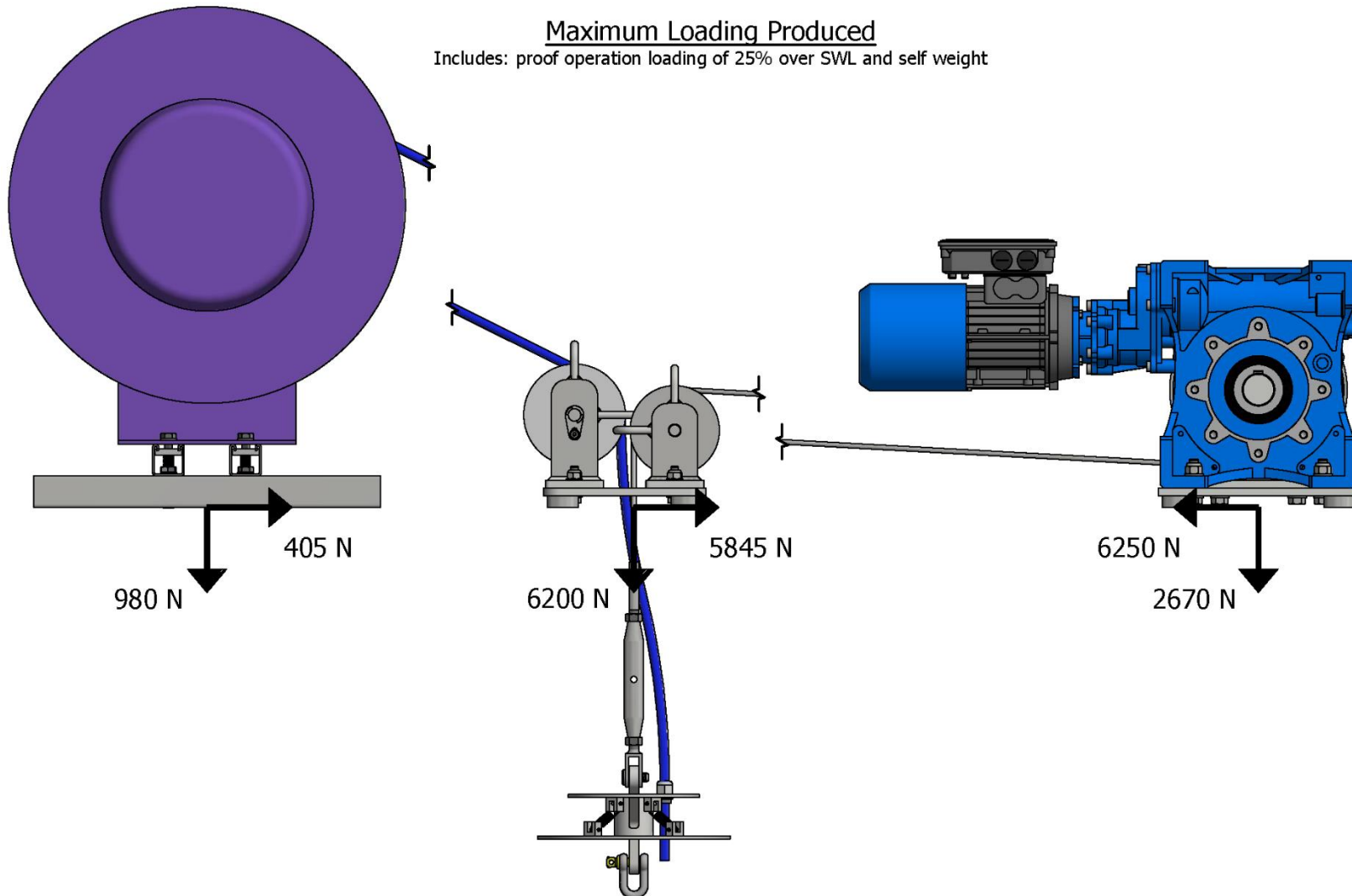
Winch Assembly Mass: 87 kg (191.4 lbs)



System loadings

Maximum Loading Produced

Includes: proof operation loading of 25% over SWL and self weight



Winch system technical specifications

Contact Penny Hydraulics if a different system specification is required.

SKU	872-000077
Maximum load	500 kg (1102 lbs)
Maximum lowering distance	10 m (32' 8")
Maximum power feed to load	3-core, 15 A per core
Winch system power requirements	13 A 240 V single phase, 50 Hz (USA – 13 A, 120 V single phase, 60 Hz)
Shipping dimensions	950 x 800 x 570 mm (37.4" x 31.4" x 22.4")
Shipping weight	234 kg (516 lbs)
No of automatic stop positions	2
Raising/lowering speed	1.65 m/min (5.4 ft/min)
Running noise	Lift operating when loaded below 46 dB(A)
Running mode	Soft start/stop
Installation environment	Internal use only
Control type	Wired remote control (standard), radio wireless system (optional)
Conformity	The Supply of Machinery (Safety) Regulations 1998 BS 7906-1 Category B BS EN ISO 12100:2010 Safety of Machinery – General principles for design – Risk assessment and risk reduction 2014/30/EU Electromagnetic Compatibility Directive 2014/35/EU Low Voltage Directive Lifting Operations and Lifting Equipment Regulations 1998

Wired remote control technical specifications

Cable length	3 m (9' 10")
Protection class	IP65
Housing material	Polycarbonate
Functions	2 – Hold to run
Dimensions	106 x 68 x 53 mm (4.2" x 2.7" x 2.1")
Mass	0.4 kg (0.9 lbs)

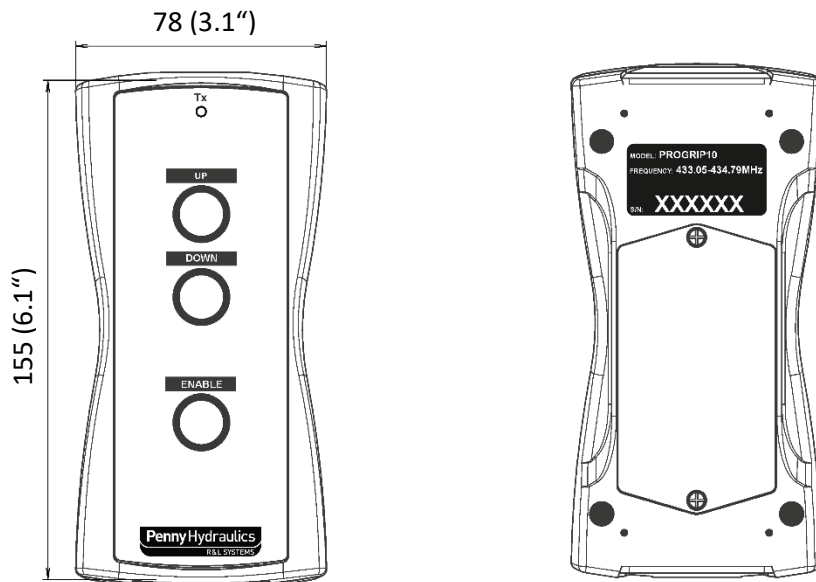


Wireless radio remote system technical specifications

(must be specified as optional extra)

Progrip handset

Power supply	4.5 V (3x AA Batteries)
Frequency	433.05-434.79 MHz
Antenna	Internal
Range	Up to 100 m (328')
Protection class	IP65
Housing material	ABS
Functions	2 – Hold to run (with Enable)
Dimensions	160 x 78 x 35 mm (6.2" x 3" x 1.4")
Mass	240 g (8.5 oz)



Ultrabeam DC4 receiver

Power supply	12-28 VDC
Frequency	433.05-434.79 MHz
Antenna	External
Protection class	IP65
Housing material	ABS (UL94-HB)
Dimensions	145 x 91 x 55 mm (5.7" x 3.5" x 2.2")
Mounting	4x clearance holes for M4 bolts/4mm screws
Rated load	10 A at 24 VDC / 250 VAC

