

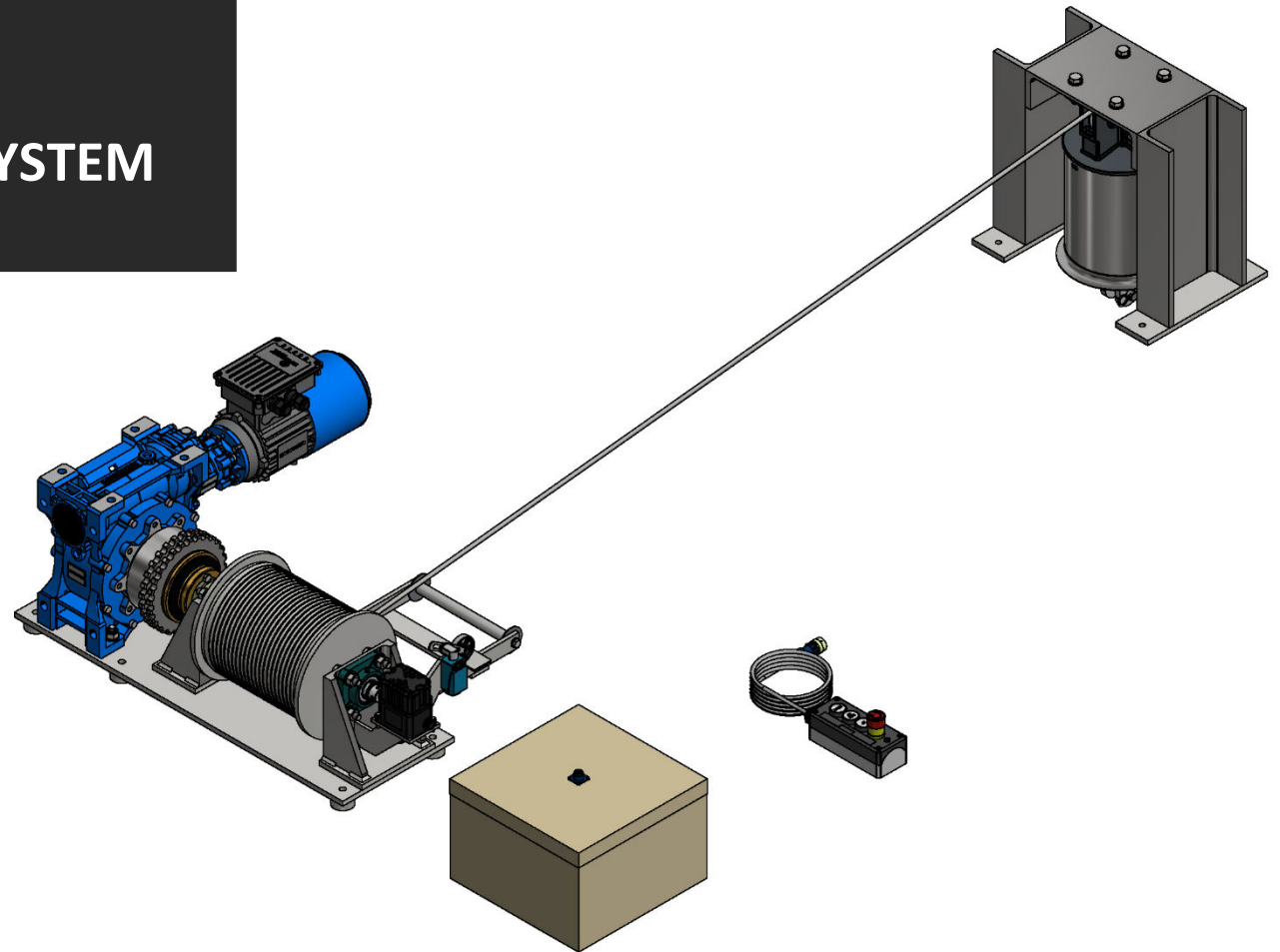
# TECHNICAL DOCUMENT



## RLS-500

### SINGLE ROPE ELECTRIC WINCH SYSTEM

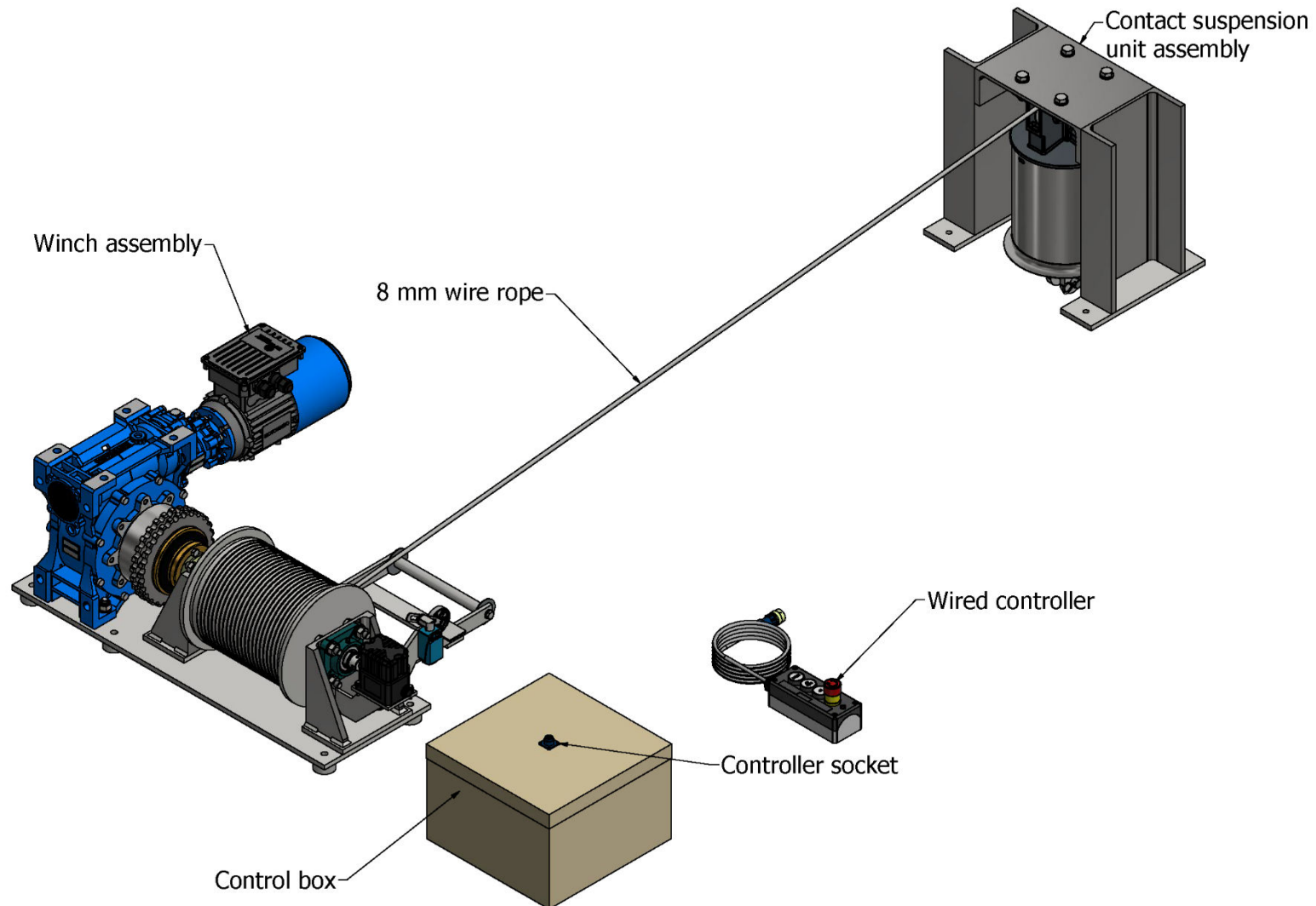
MAX LOAD: 500 kg (1102 lbs)  
MAX LOWERING DISTANCE: 10 m (32.8')  
SKU: 872-000079



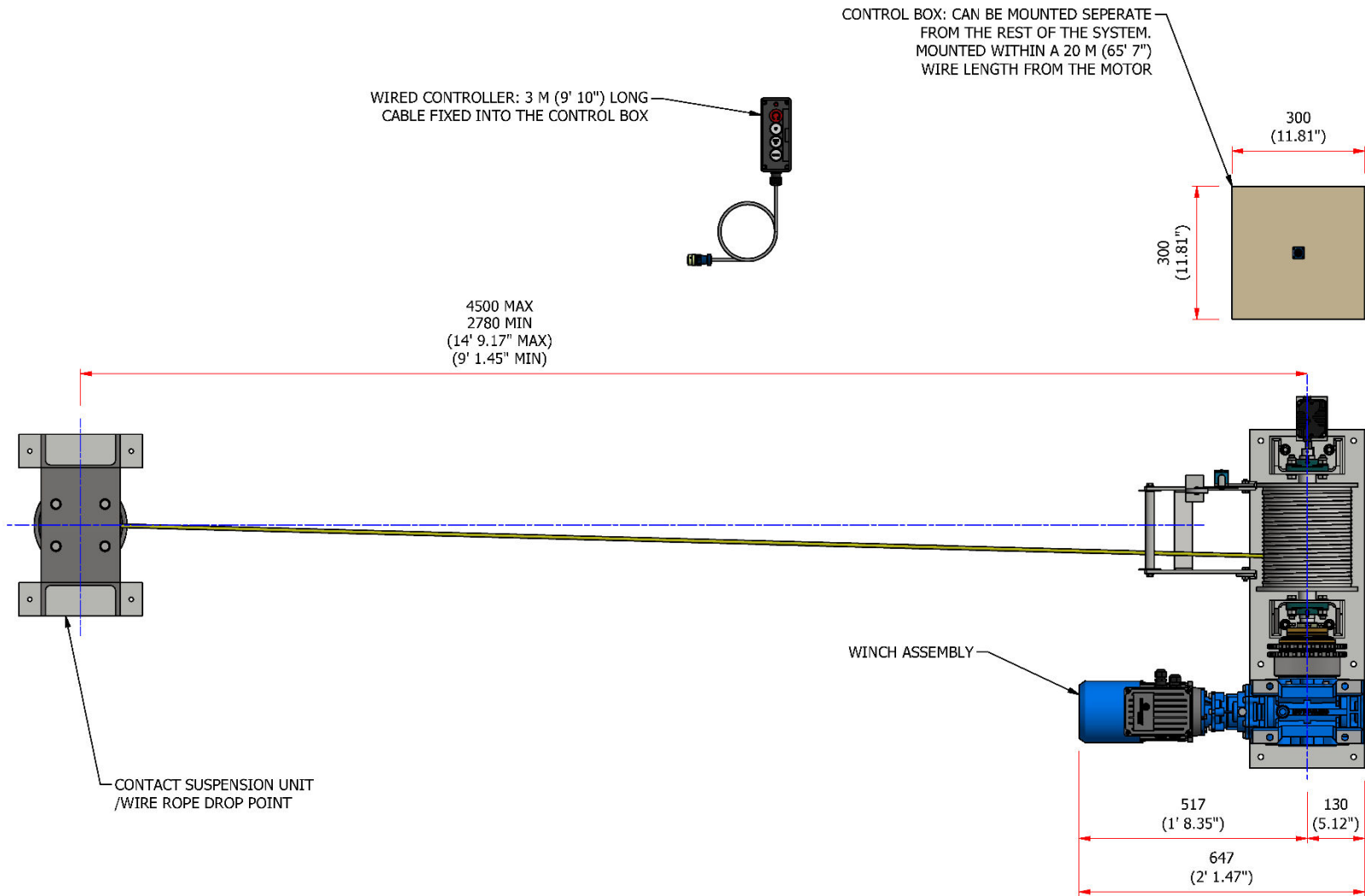
# Contents

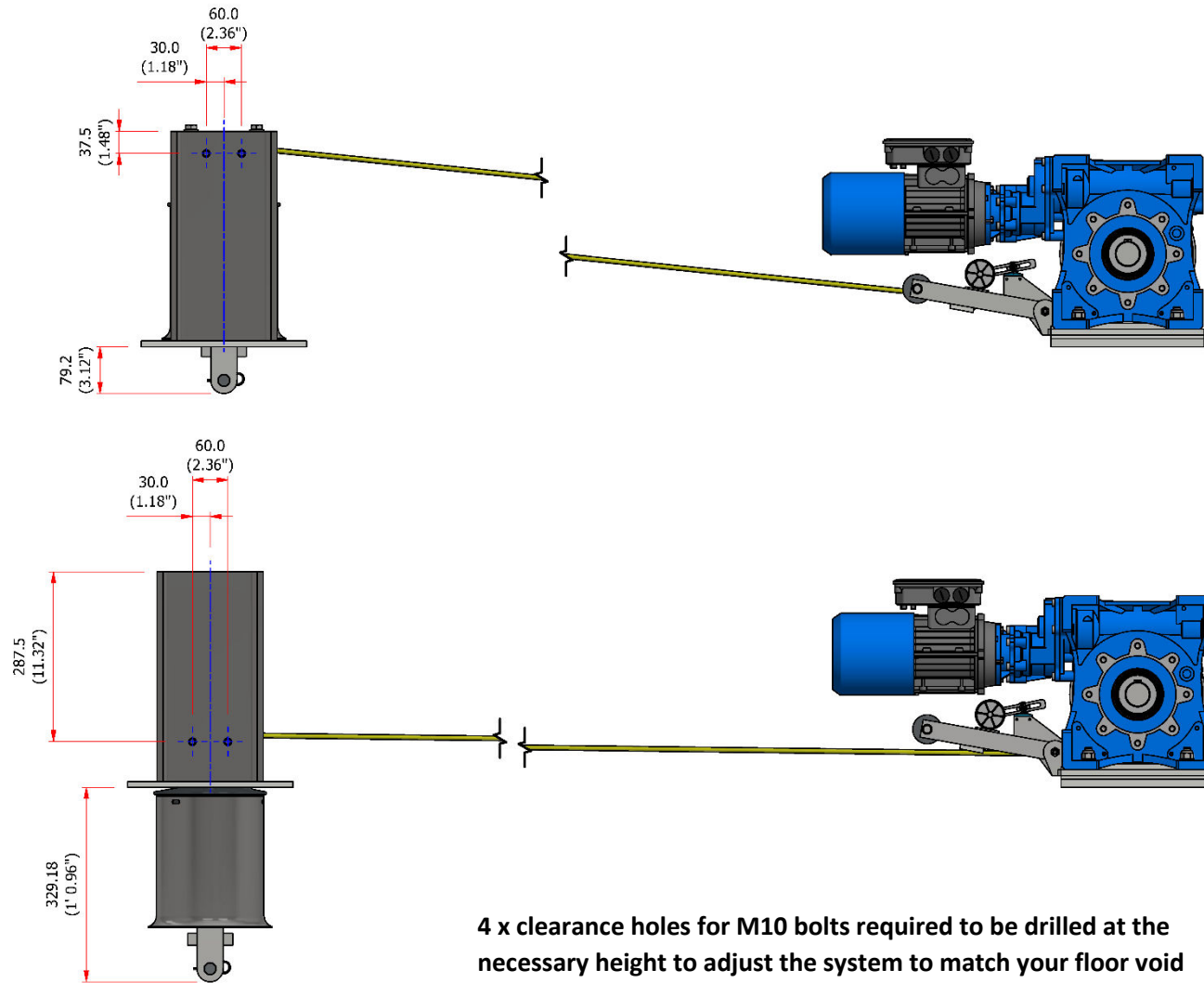
Contents.....	2
System overview .....	3
Min/max layout distances.....	4
Electric winch dimensions.....	6
Drop point assembly dimensions.....	7
Load attachment/contact suspension unit detail.....	8
Contact Suspension Unit docking positions/dimensions.....	9
Mounting dimensions .....	10
System loadings .....	11
Winch system technical specifications .....	12
Wired remote control technical specifications.....	13
Wireless radio remote system technical specifications.....	14

## System overview



# Min/max layout distances

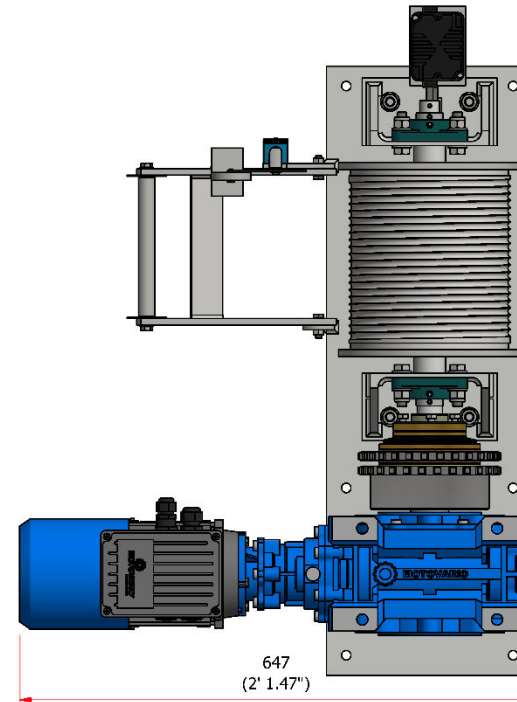
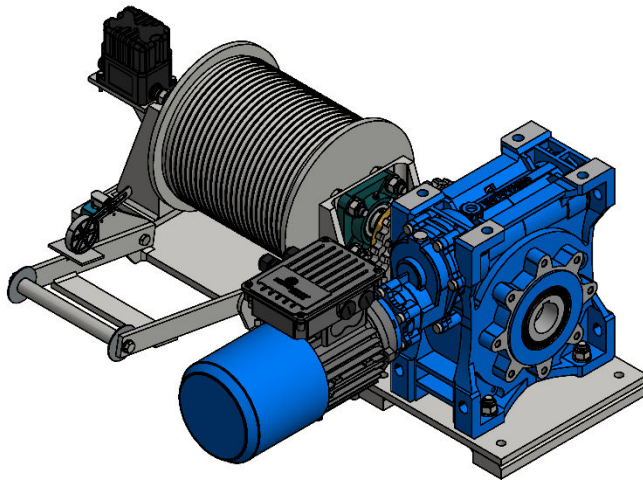
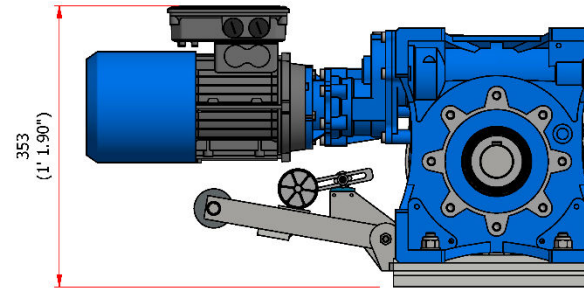
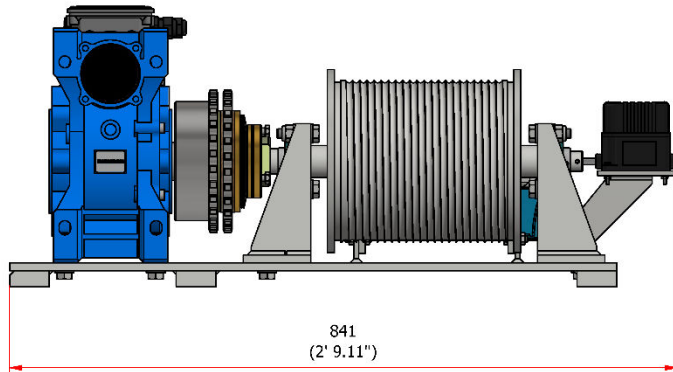




**4 x clearance holes for M10 bolts required to be drilled at the necessary height to adjust the system to match your floor void depth.**

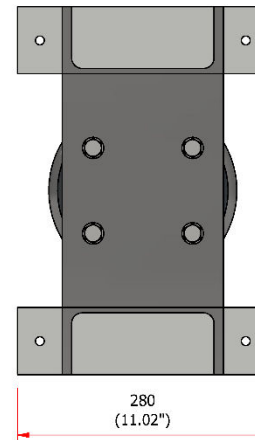
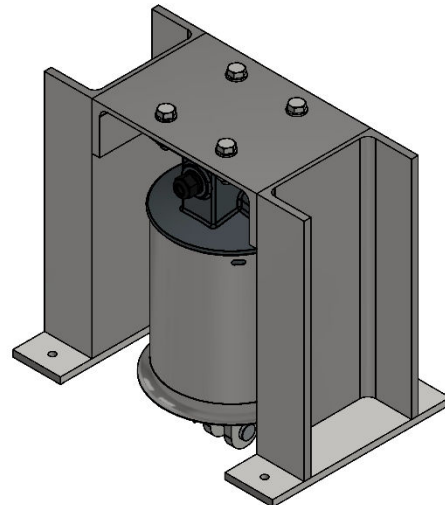
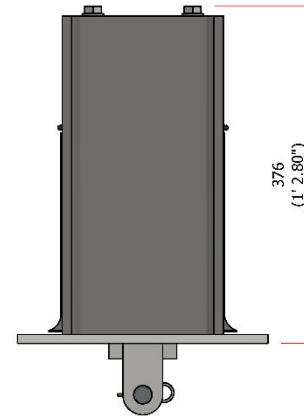
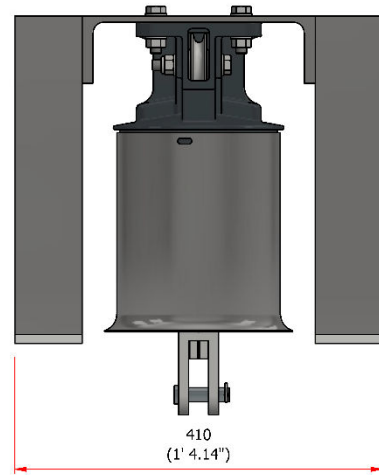
# Electric winch dimensions

Mass: 98 kg (216lbs)

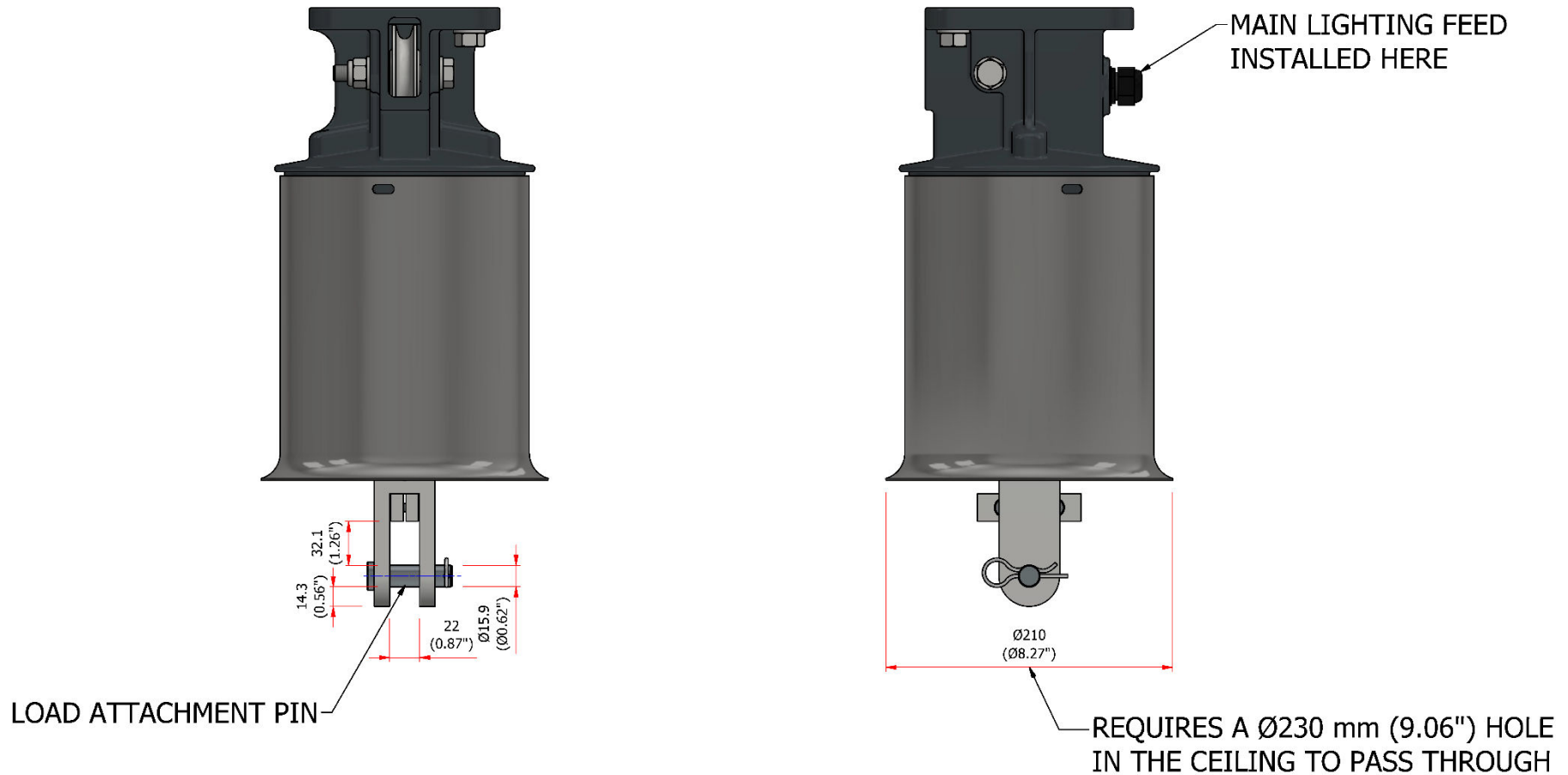


# Drop point assembly dimensions

Mass: 40 kg (88lbs)

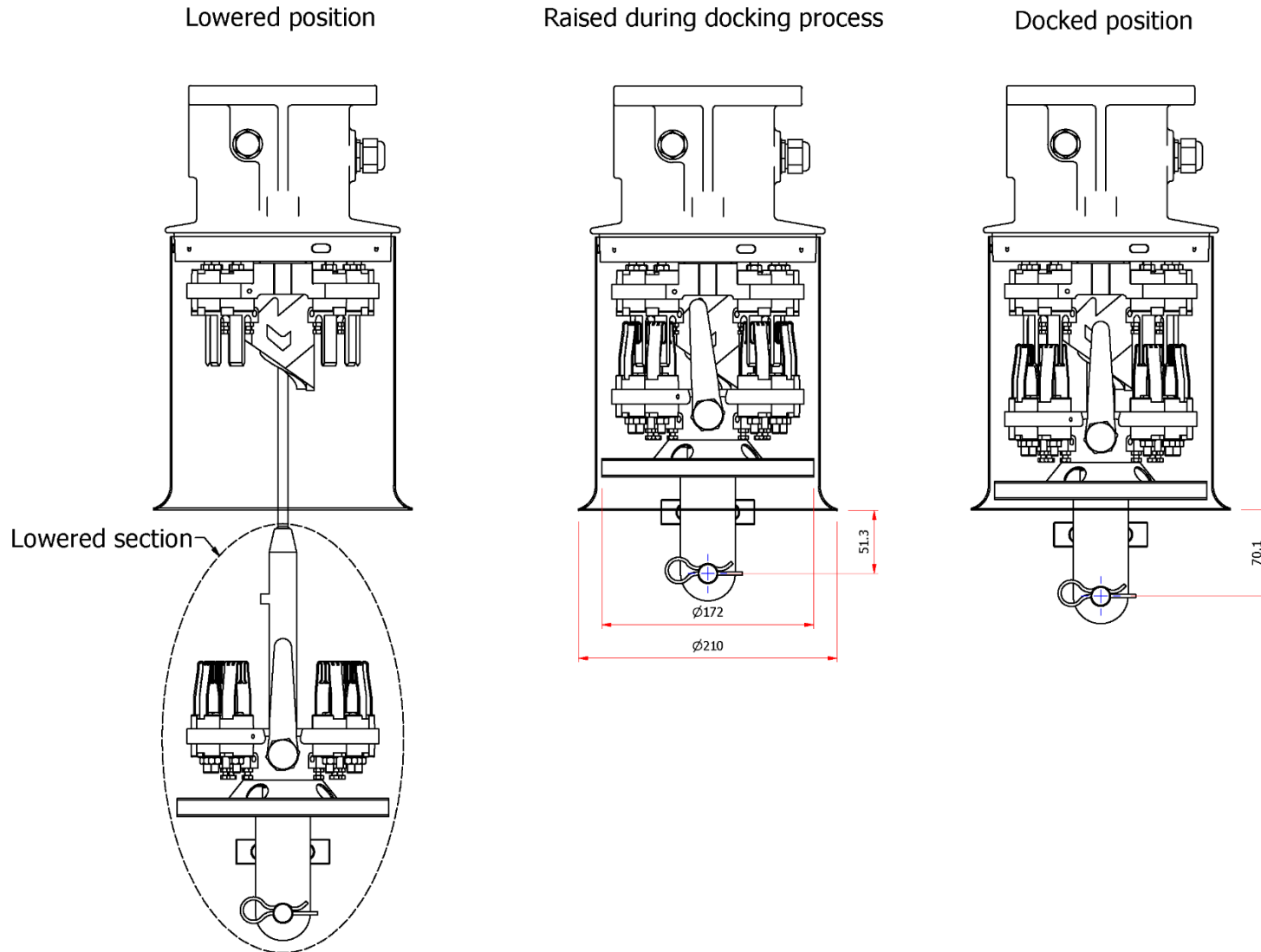


## Load attachment/contact suspension unit detail





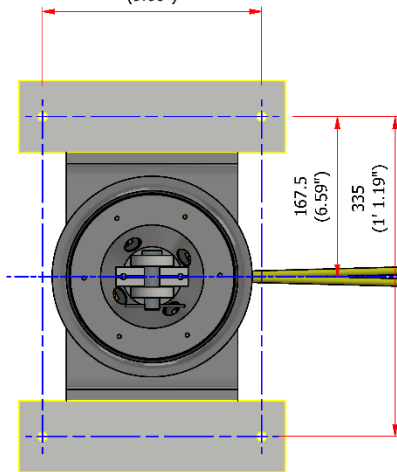
# Contact Suspension Unit docking positions/dimensions



# Mounting dimensions

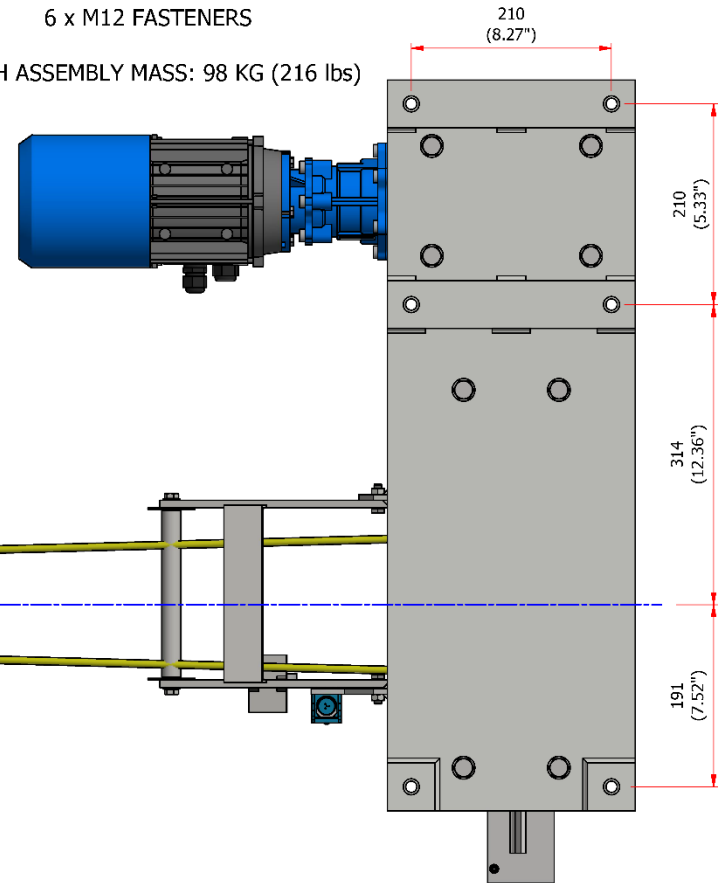
## CONTACT SUSPENSION UNIT MOUNTING 4 x M10 FASTENERS

CSU MASS: 40 KG (88 lbs)  
230  
(9.06")



## WINCH ASSEMBLY MOUNTING 6 x M12 FASTENERS

WINCH ASSEMBLY MASS: 98 KG (216 lbs)



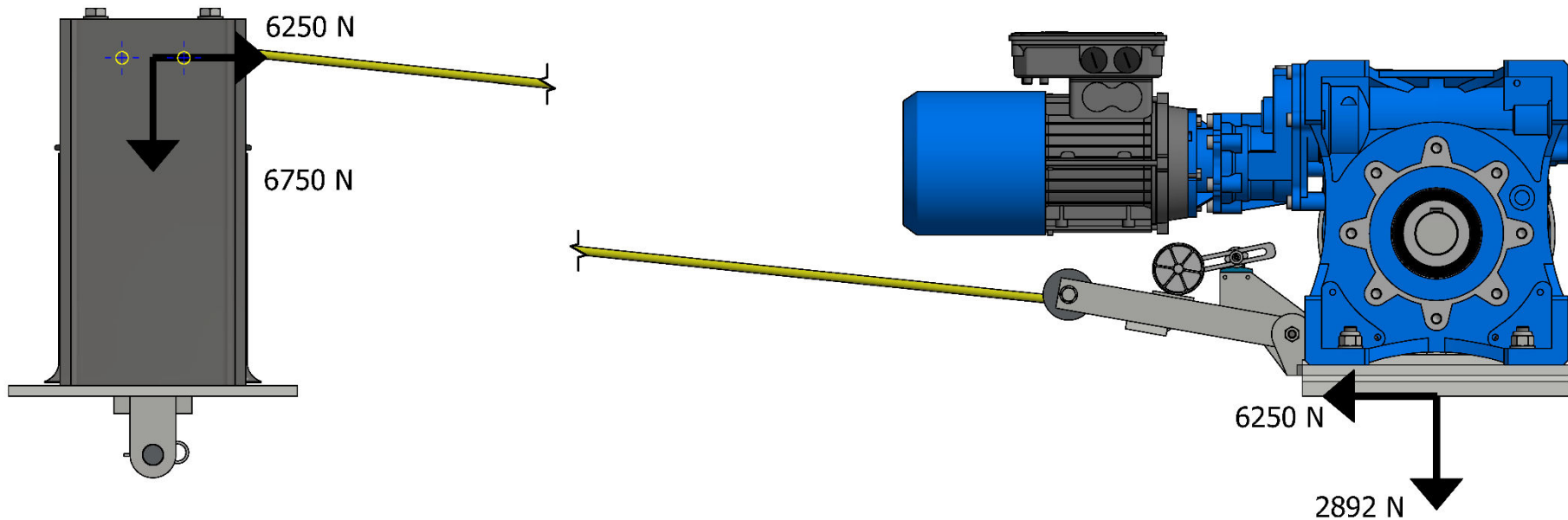
# System loadings

Maximum loadings produced. Includes: proof loading of 25% over SWL and self-weight

## MAXIMUM LOADING PRODUCED

INCLUDES: PROOF OPERATION LOADING OF 25% OVER SWL AND SELF WEIGHT

MOMENT AT CONTACT SUSPENSION  
UNIT BASE CHANGES DEPENDING  
ON THE UNIQUE MOUNTING  
POSITION ON THE CHANNELS.



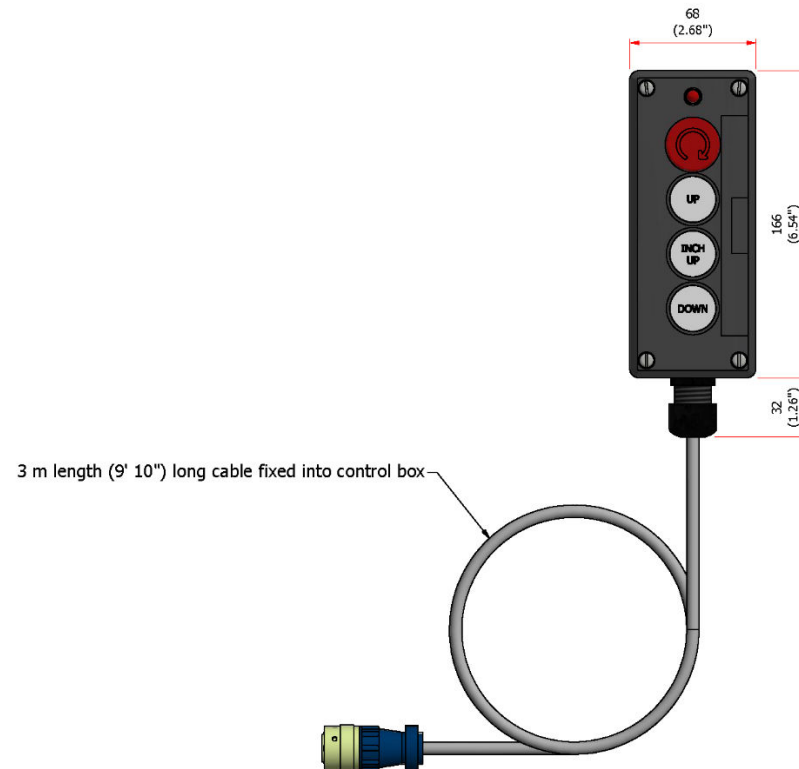
# Winch system technical specifications

Contact Penny Hydraulics if a different system specification is required.

<b>SKU</b>	872-000079
<b>Maximum load</b>	500 kg (1102 lbs)
<b>Maximum lowering distance</b>	10 m (32' 8")
<b>Power feed to load</b>	3 contacts, 30 A per contact. Up to 10 contacts available on request.
<b>Winch system power requirements</b>	13 A 240 V single phase, 50 Hz (USA – 13 A, 120 V single phase, 60 Hz)
<b>Shipping dimensions</b>	1000 x 850 x 400 mm (39.3" x 33.5" x 15.7")
<b>Shipping weight</b>	146 kg (322 lbs)
<b>No of automatic stop positions</b>	2
<b>Raising/lowering speed</b>	1.65 m/min (5.4 ft/min)
<b>Running noise</b>	Lift operating when loaded below 46 dB(A)
<b>Running mode</b>	Soft start/stop
<b>Installation environment</b>	Internal use only
<b>Control type</b>	Wired remote control (standard), radio wireless system (optional)
<b>Conformity</b>	The Supply of Machinery (Safety) Regulations 1998 BS 7906-1 Category B BS EN ISO 12100:2010 Safety of Machinery – General principles for design – Risk assessment and risk reduction 2014/30/EU Electromagnetic Compatibility Directive 2014/35/EU Low Voltage Directive Lifting Operations and Lifting Equipment Regulations 1998

## Wired remote control technical specifications

<b>Cable length</b>	3 m (9' 10")
<b>Protection class</b>	IP65
<b>Housing material</b>	Polycarbonate
<b>Functions</b>	3 – Hold to run + E-Stop
<b>Dimensions</b>	166 x 68 x 53 mm (6.5" x 2.7" x 2.1")
<b>Mass</b>	0.4 kg (0.9 lbs)

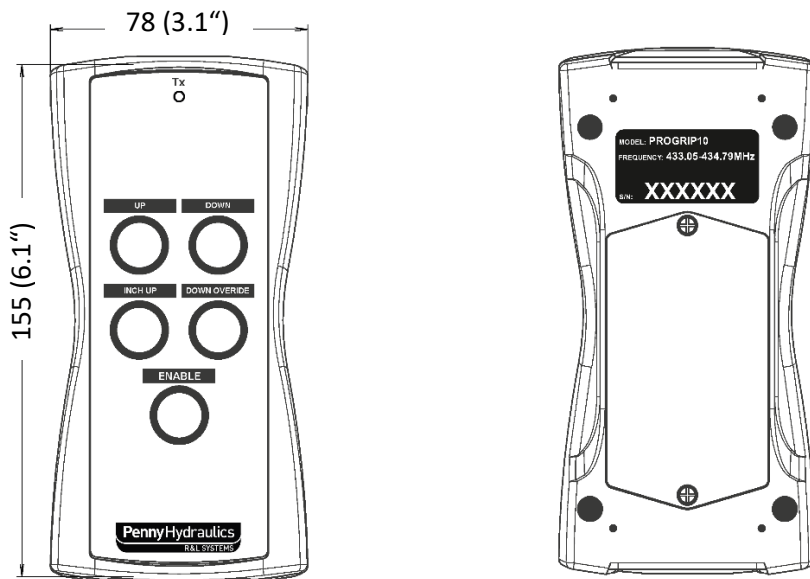


# Wireless radio remote system technical specifications

(must be specified as optional extra)

## Progrip handset

<b>Power supply</b>	4.5 V (3x AA Batteries)
<b>Frequency</b>	433.05-434.79 MHz
<b>Antenna</b>	Internal
<b>Range</b>	Up to 100 m (328')
<b>Protection class</b>	IP65
<b>Housing material</b>	ABS
<b>Functions</b>	4 – Hold to run (with Enable)
<b>Dimensions</b>	160 x 78 x 35 mm (6.2" x 3" x 1.4")
<b>Mass</b>	240 g (8.5 oz)



## Ultrabeam DC4 receiver

<b>Power supply</b>	12-28 VDC
<b>Frequency</b>	433.05-434.79 MHz
<b>Antenna</b>	External
<b>Protection class</b>	IP65
<b>Housing material</b>	ABS (UL94-HB)
<b>Dimensions</b>	145 x 91 x 55 mm (5.7" x 3.5" x 2.2")
<b>Mounting</b>	4x clearance holes for M4 bolts/4mm screws
<b>Rated load</b>	10 A at 24 VDC / 250 VAC

