



SMART LIFTING SYSTEMS

LL12 – 20m Technical Document

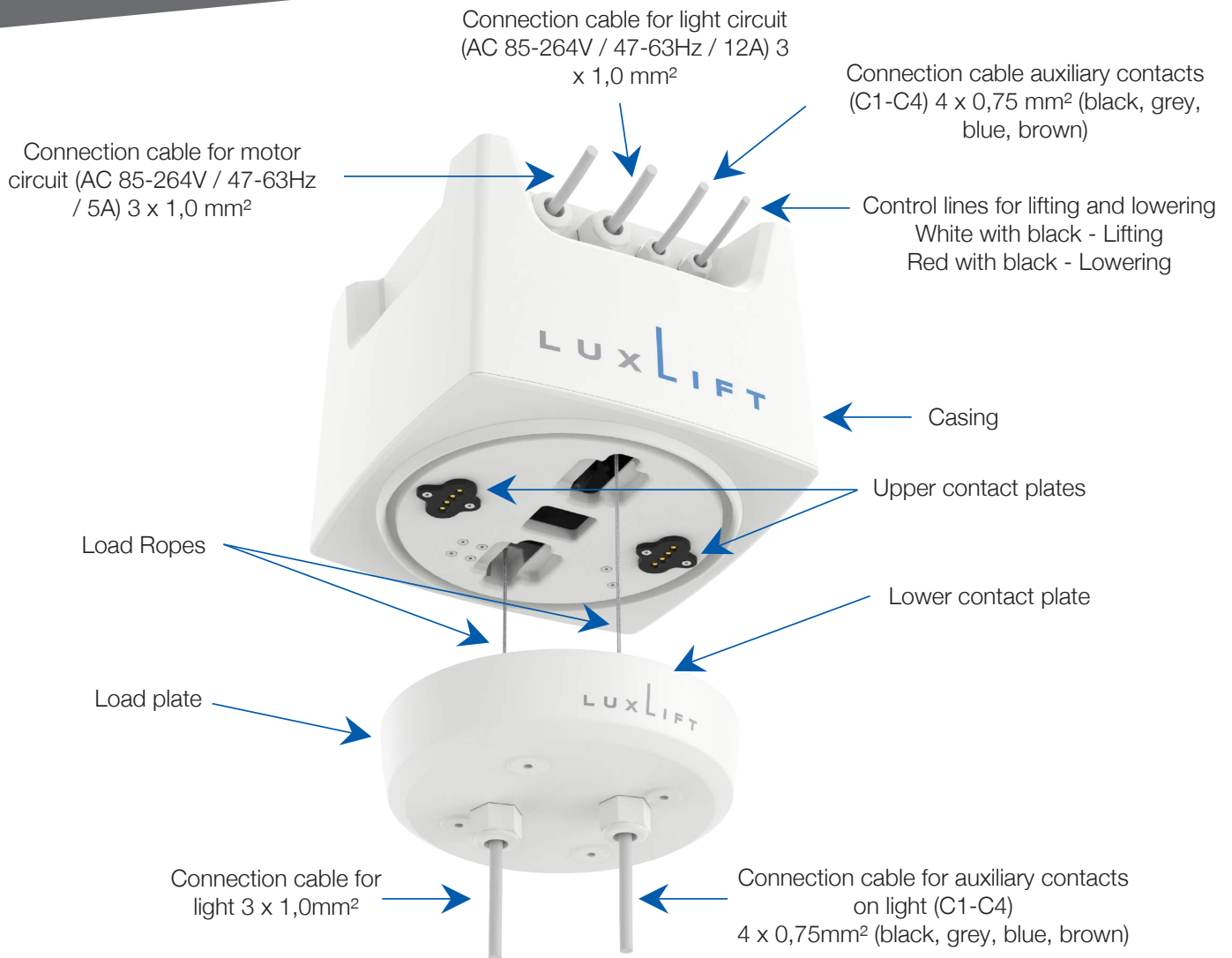
L U X L I F T
SMART LIFTING SYSTEMS



Contents

Product	3
Components	4-5
Mounting Points	6
Wiring Diagram	7
Keyswitch	8
Functions	9
Mobile App	10
Accessories	11-12

Product



LUXLIFT 12/20m

Short name LL - 12/20m

Lifting weight 0- 12kg

Power Motor 30w

Power connection Motor/Light separate

Lowering distance 0-20m

Current draw standby 0,08 A

Power supply Motor 100- 264V/50-60Hz

Power supply Light 100- 264V/50-60Hz

Current Light Circuit max. 10A

Cable Light Circuit 3x1,0mm²

Cable auxiliary contacts 4x0,75mm²

Current auxiliary contacts max. 6A

Protection category IP54

Protection class I

Temperature range -15°C to 60°C

Net weight 6.4kg

Speed ca. 3 - 3.5m/min

Dimensions 230x230x230mm

Components

Safety Locking Device



The Safety locking device provides additional security when the lift is at rest.

Special safety locking jaws engage to take the load off the suspension cables.

The jaws remain locked even in the event of a power failure and only disengage when the lift is operated.

Electrical Contact Plates

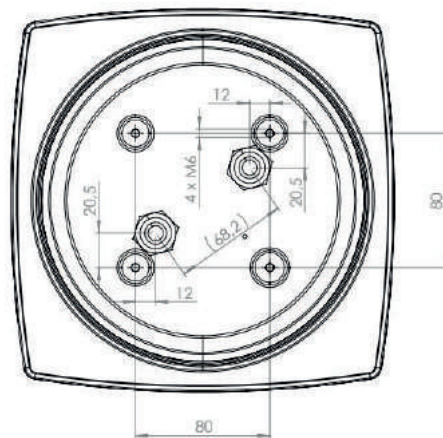
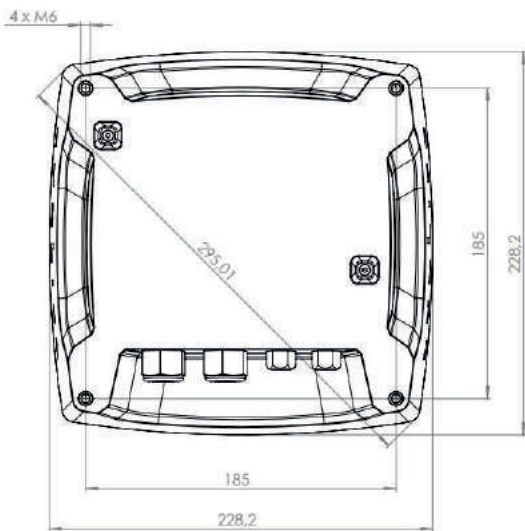
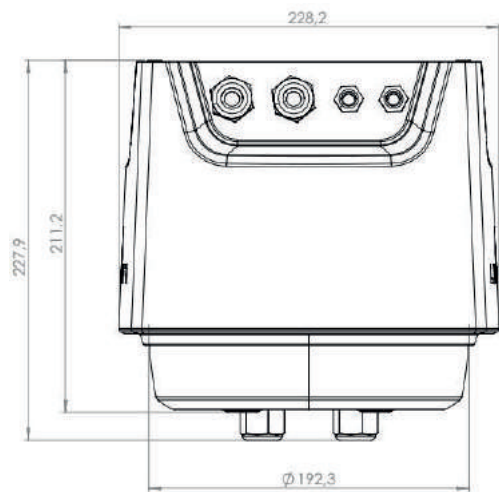
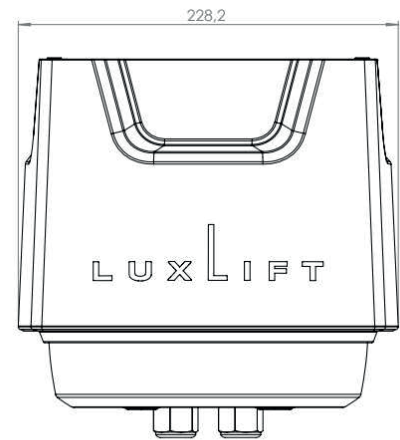


Electrical contact is made by way of spring loaded contacts plates within the main unit and fixed contacts in the lowering coupler of the lift.

Upon lowering the lift the internal relay isolates the electrical supply, once in the raised position the relay returns power to the lower contacts



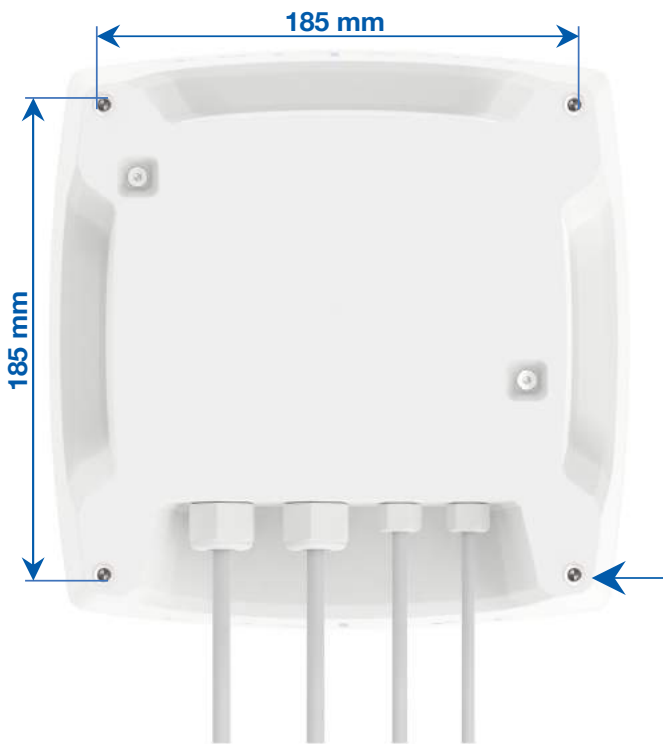
Dimensions



WENN NICHT ANDERS ODERWEIS, SIND ALLE DIMENSIONEN IN MILLIMETER

Mounting Points

Standard Mounting Points

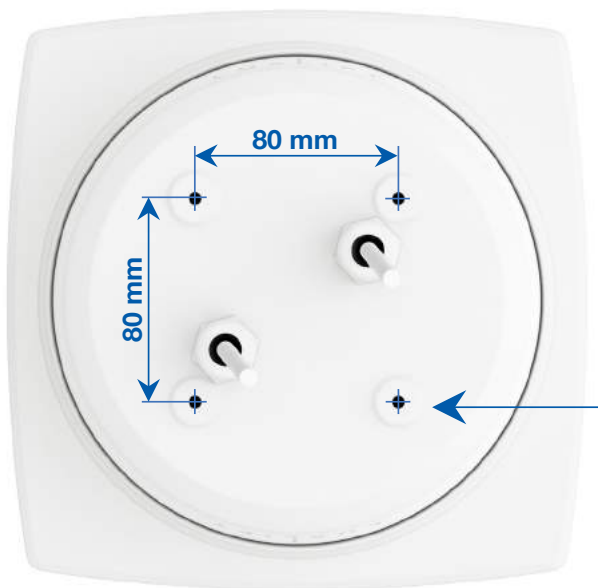


Upper attachment:

Make sure that the selected mounting plate has a load capacity that corresponds to the combined weight of the lift and the towed object.

To comply with EU regulations ensure that LuxLift is connected to the ceiling with at least two independent attachment points.

M6
max. screw depth 13 mm



Lower attachment:

Make sure that the selected mounting plate allows the towed object to be suspended so that the center of gravity is centrally located below the lift plate.

M6
max. screw depth 11 mm

Wiring Diagram

Connection Cable

All lifts have 4 connection cables.



Motor:

BLUE = neutral conductor
BROWN = Phase
YELLOW/GREEN = protective earth

One connection is marked "MOTOR" and ensures the power supply to the lift motor.

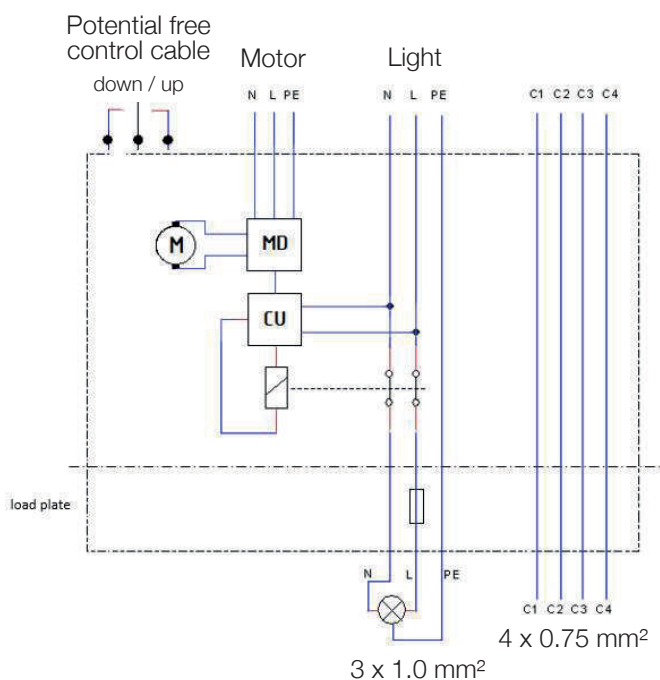
A **5 A fuse** must be provided in the building installation.

Light:

BLUE = neutral conductor
BROWN = Phase
YELLOW/GREEN = protective earth

The connection "LIGHT" supplies the lift control and also leads via the contact plates to the load plate of the lift and is used there to supply the light.

A **10 A fuse** must be provided in the building installation.



Auxiliary contacts:

4 conductors: Black, Grey, Brown and Blue

The auxiliary contacts (C1-C4) can be used for DALI, DMX, emergency luminaires or other applications.

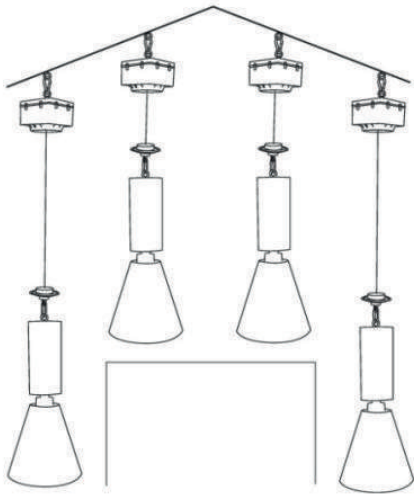


In the normal state (lighting operation and public traffic), it must be ensured that the motor circuit is de-energised and cannot be switched on without authorisation.

Functions

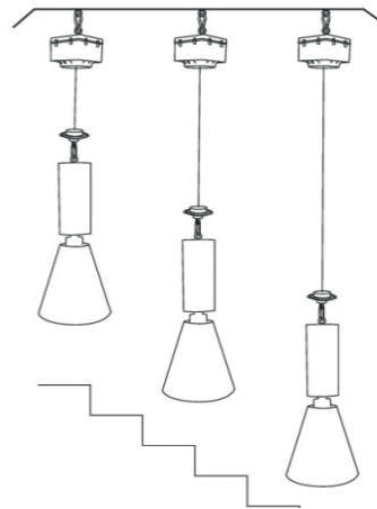
Auto Stop Feature

When lowering, the lift stops automatically if the descent is interrupted or when it reaches the ground.



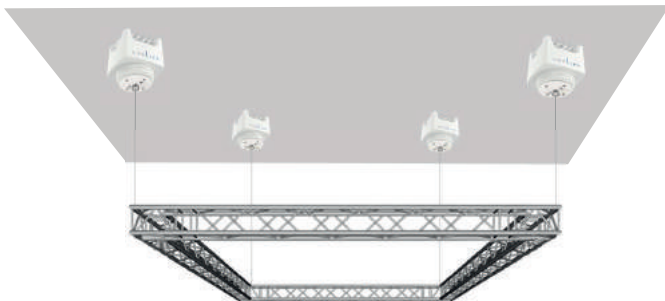
Adjustable Lowering Height

Each lift can be set to stop at the users desired lowering height. This can be stored in the lift for future operations.



Group Mode Feature

Lifts can be grouped into four units to allow raising and lowering of raft and grid systems.



Sync Mode Feature

Lifts can be grouped into pairs to lower and raise linear truss and banner applications.



Keyswitch

Keyswitch

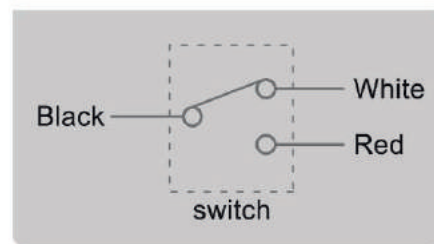
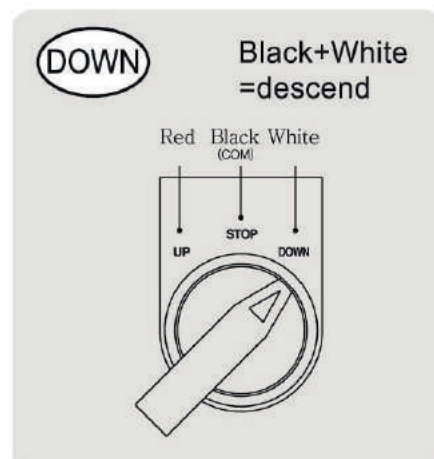
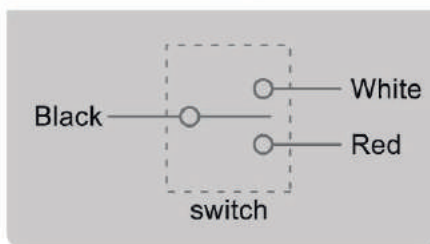
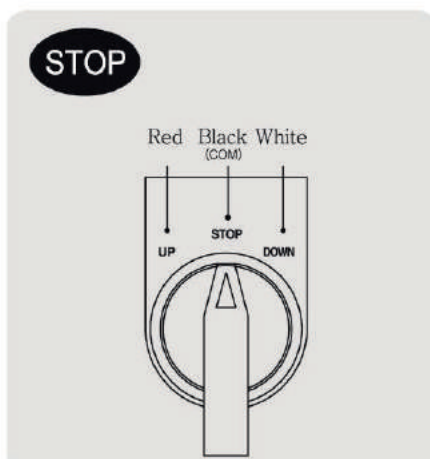
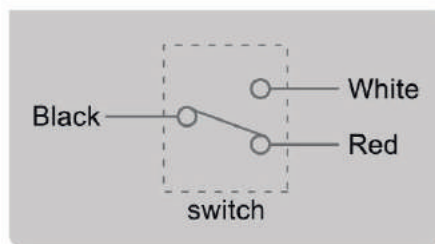
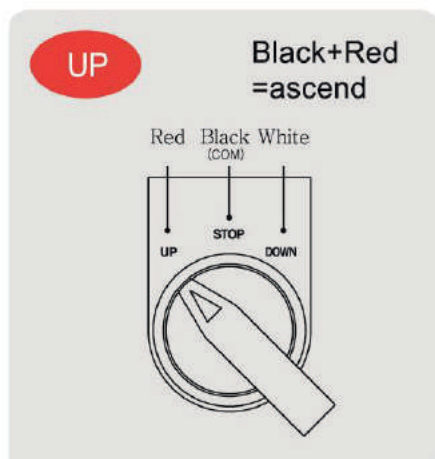
Control cables:

3 conductors - Black, White and Red

These are used to connect the lift to the wired control system. (Optional; in case no remote control tablet is used)

External voltage must not be applied to the control lines of the lift under any circumstances, as this will cause the lift to fail.

Control switch  **Do not connect Black+Red+White**
Do not connect any voltage



Mobile App

Control via the app

Control of the LuxLift

- Saving the lowering distances
- Setting up synchronous groups
- Manual control

Lift information management

- Installation date
- Personalize lift name
- Store room information
- Photo of the lift or a floorplan

Monitoring Functions

- Status of the luminaire (switched on / off)
- Operating hours counter
- Last cleaning/maintenance of the luminaire
- Last bulb replacement



Accessories

Top Mounting Plate (MP-O-25)

The ingenious shape of the upper mounting plate enables uncomplicated lift assembly:

- The mounting plate is screwed to the top of the lift with the four screws included in the scope of delivery.
- Two screws are attached to the ceiling at a distance of 223mm. (Ceiling mounting hardware with the lift is not included).
- Then the mounting plate together with the lift is hung in the ceiling screws and screwed tight.



Material: aluminium - Thickness 3mm

Upper Mounting Plate with Eyebolt (MP-OE-25)

The upper mounting plate with eyebolt is suitable for LuxLift Light 12 and LuxLift Light 25 and is made of 3mm thick aluminium. It is suitable as a ceiling mounting plate with a suspension point in the centre of gravity.

the top mounting plate with eyebolt comes with four bolts for attachment to the lift. The ring nut is already pre-installed and glued to the mounting plate. Ceiling mounting hardware is not included.



Bottom Mounting Plate (MP-UE-75)

The lower mounting plate allows you to mount your lights or objects from a single point using a ring nut, as well as attaching mounting brackets using prefabricated screw holes.

The scope of delivery includes:

- M8 ring bolt with associated self-locking nut
- Four spacer sleeves and associated M6 screws for fastening the mounting plate to the Luxlift.

Colour: White (RAL-9016)



Accessories continued...

Inspection Cover with Four Screws (RA-MSS)

The inspection cover closes the installation opening in suspended ceilings and hides the view of the lift.

Material: Aluminium
Thickness: 2.5mm
Diameter: 400mm
Standard Colour: White (RAL-9016),
custom colour possible.



Inspection Cover with Ring Screw (RA-ME)

The inspection cover closes the installation opening in suspended ceilings and hides the view of the lift. The attachment of the object to be attached to the lift is carried out with an eyebolt and a self-locking nut, which are included in the scope of delivery.

Material: Aluminium
Thickness: 2.5mm
Diameter: 400mm
Standard Colour: White (RAL-9016),
custom colour possible.



LUXLIFT
SMART LIFTING SYSTEMS

www.luxlift.co.uk
info@luxlift.co.uk
